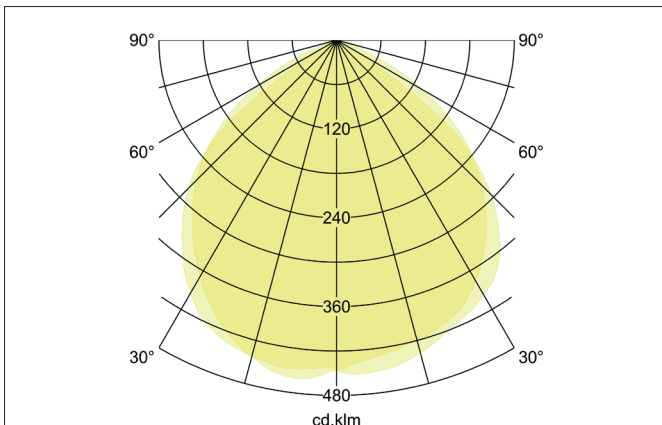
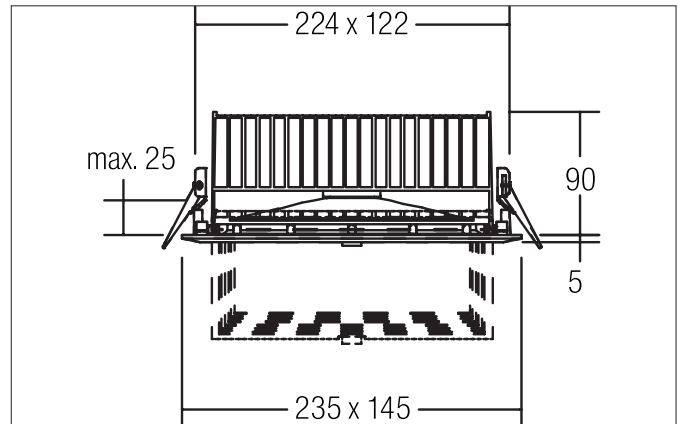


**CORE LED recessed wallwasher**

Article no. 88687185

Light.  
For Generations.



**Tender**

LED recessed wallwasher CORE, Square. Ceiling cut-out L x W 224 x 122 mm, Installation depth 90 mm, Length 235 mm, Width 145 mm, Weight 1,141 kg, with rotationssymmetrical, deep, wide distributed light intensity. optimal light distribution due to a glass transparent cover. Luminous flux 3.980 lm, Power 1 x 45 W, System Efficiency 88 lm/W, Light colour neutral white, Correlated color temprature (CCT) 3.500 K, Colour rendering index CRI > 80, Housing material: Aluminium / Glass, Colour: Black structure, Permissible ambient temperature (ta): -20 °C - +25 °C, Protection class (EN 61140): II, Degree of protection (DIN EN 60529): IP20. With electronic driver, on/off switchable.

Article data	
Article no.	88687185
GTIN	4251433900283
Series name	CORE
Short description	LED recessed wallwasher
Material	Aluminium / Glass
Colour	Black
Type of surface	Structure
Shape	Square
Built-in width	122 mm
Built-in length	224 mm
Installation depth	90 mm
Length	235 mm
Width	145 mm
Weight	1.141 kg

**CORE LED recessed wallwasher**

Article no. 88687185

Light.  
For Generations.

Lighting technology	
Colour temperature	3.500 K
Light colour	White
Light output	Direct
Luminous flux	3,980 lm
System efficiency	88 lm/W
Colour rendering	CRI > 80
Reflector	High-gloss
Beam angle	110°
Light sharing	Symmetric

Operating technology of the luminaire	
System output	42 W
Voltage type	AC
AC nominal voltage max	230 V
Frequenz max.	50 Hz
Lamp	LED
Protection class	II
Degree of protection	IP20
Control	on/off
Bulb change possible	The light source of this luminaire may only be replaced by the manufacturer or a service technician commissioned by him or a similarly qualified person.

Mounting technology	
Mounting method	Recessed mounting
Place of installation	Ceiling-mounted
Adjustability	Pivoted
Swivel angle	45°
Further references	No cover with thermal insulation material
Material cover	Glass transparent

Packing data	
Gross weight	1.422 kg
Length of packaging	280 mm
Packaging width	185 mm
Packaging height	155 mm
Disposal at end of life	This product must not be disposed of with household waste. You are obliged, to dispose of such electrical waste separately. By disposing of electrical waste and other old or defective electronics separately, you support recycling or other forms of re-use. In that way you help to take care and to avoid that harmful substances get into the environment.