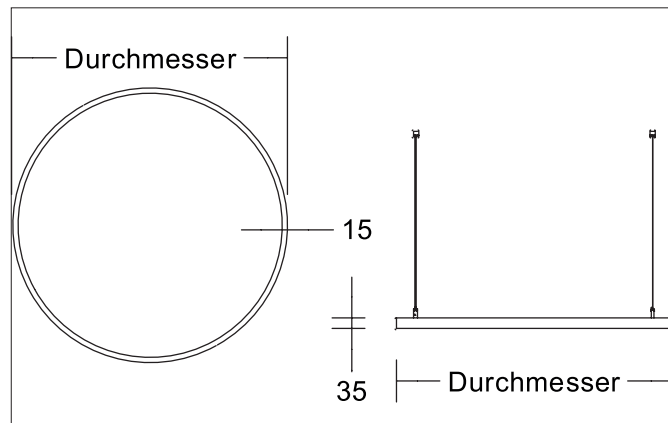
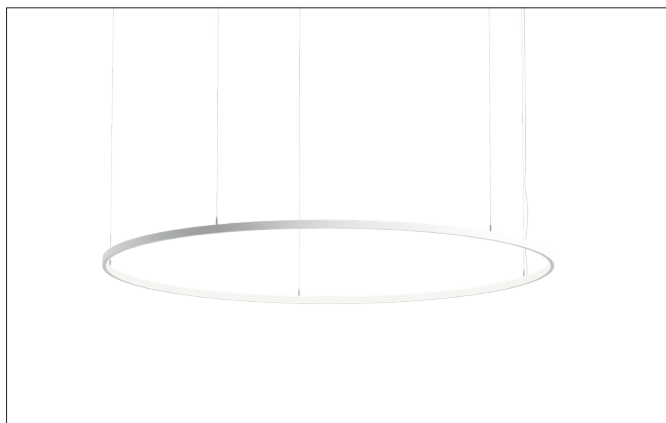


ANDROS IN LED pendant ring luminaire, Casambi dimmable

Article no. 84034173CA

Light.
For Generations.**Tender**

LED pendant ring luminaire, Casambi dimmable, Round. Luminaire diameter 1800.0 mm, Hight 35.0 mm, for pendulum mounting. Pendulum length max. 5000.0 mm Weight 11.0 kg, with rotationssymmetrical, deep, wide distributed light intensity. optimal light distribution due to a plastic, opal cover. Luminous flux 13.000 lm, UGR < 22, Power 1 x 130 W, Light colour warm white, Correlated color temperature (CCT) 3.000 K, Colour rendering index CRI > 90, Rated life time L70/B50 at 25 °C: 50.000 h, Housing material: Aluminium / Steel / Plastic, Colour: White structure, Permissible ambient temperature (ta): -20 °C - +25 °C, Protection class (EN 61140): I, Degree of protection (DIN EN 60529): IP20, .With electronic driver, Casambi dimmable.

| Article data | |
|-------------------|--|
| Article no. | 84034173CA |
| GTIN | 4255752508496 |
| Series name | ANDROS IN |
| Short description | LED pendant ring luminaire, Casambi dimmable |
| Material | Aluminium / Steel / Plastic |
| Colour | White |
| Type of surface | Structure |
| Shape | Round |
| Outer diameter | 1800 mm |
| Hight | 35 mm |
| Weight | 11.000 kg |

ANDROS IN LED pendant ring luminaire, Casambi dimmable

Article no. 84034173CA

Light.
For Generations.

| Lighting technology | |
|------------------------------|---------------|
| Colour temperature | 3.000K |
| Light colour | White |
| Light output | Indirect |
| Luminous flux | 13,000 lm |
| System efficiency | 100 lm/W |
| McAdam-Step | McAdam-Step 3 |
| Colour rendering | CRI > 90 |
| Reflector | Without |
| Beam angle | 110° |
| Glare evaluation | UGR < 22 |
| Light sharing | Symmetric |
| Adjustable color temperature | No |

| Operating technology of the luminaire | |
|---------------------------------------|--|
| System output | 130 W |
| Voltage type | AC |
| AC nominal voltage max | 230 V |
| Frequency max | 50 Hz |
| Lamp | LED |
| Lamp holder | LED |
| Protection class | I |
| Degree of protection | IP20 |
| Dimmable | Yes |
| Control | Casambi |
| Bulb change possible | The light source of this luminaire may only be replaced by the manufacturer or a service technician commissioned by him or a similarly qualified person. |
| Rated life time L70/B50 at 25 °C | 50,000 h |

| Mounting technology | |
|----------------------------------|-----------------|
| Mounting method | Suspended |
| Place of installation | Ceiling-mounted |
| Adjustability | Not adjustable |
| stamp | UKCA |
| Pendulum length min. | 1,000 mm |
| Pendulum length max. | 5,000 mm |
| Pendant length single suspension | 1000 - 5000 mm |
| Pendulum length centre canopy | 1000 - 5000 mm |
| Number of cable suspensions | 5 |
| Material cover | Plastic, opal |
| Suitable for through-wiring | No |

| Packing data | |
|-------------------------|---|
| Gross weight | 14 kg |
| Length of packaging | 1,830 mm |
| Packaging width | 1,830 mm |
| Packaging height | 90 mm |
| Disposal at end of life | This product must not be disposed of with household waste. You are obliged, to dispose of such electrical waste separately. By disposing of electrical waste and other old or defective electronics separately, you support recycling or other forms of re-use. In that way you help to take care and to avoid that harmful substances get into the environment. |