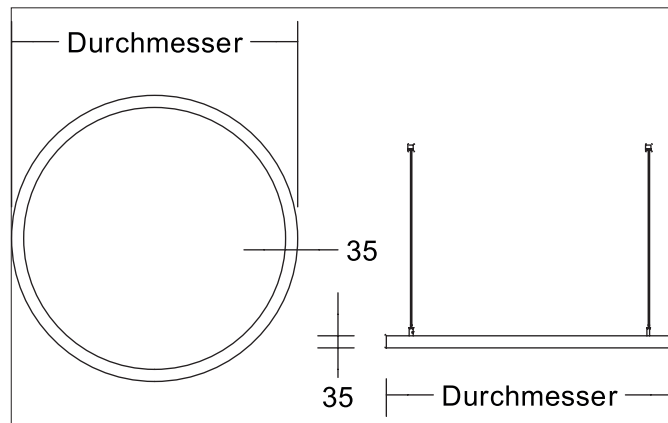
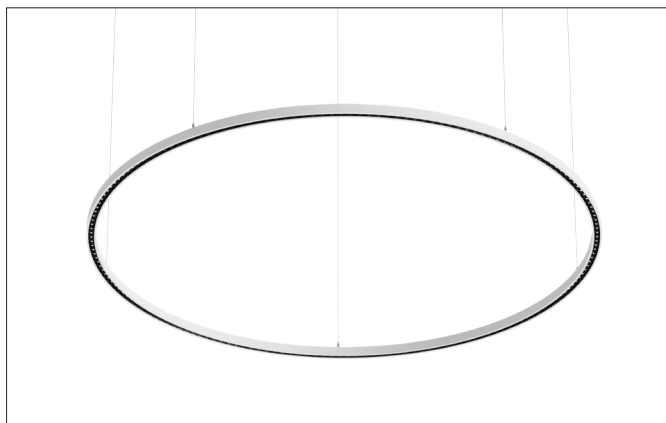


**DEVON LED Pendant Ring Light, DALI-2 dimmable**

Article no. 84014174

Light.  
For Generations.**Tender**

LED Pendant Ring Light, DALI-2 dimmable, Round. Luminaire diameter 1800.0 mm, Height 35.0 mm, for pendulum mounting. Pendulum length max. 5000.0 mm Weight 11.0 kg, with rotationssymmetrical, deep, wide distributed light intensity. optimal light distribution due to a plastic, opal cover. Luminous flux 8.100 lm, UGR < 19, Power 1 x 81 W, Light colour neutral white, Correlated color temperature (CCT) 4.000 K, Colour rendering index CRI > 90, Rated life time L70/B50 at 25 °C: 50.000 h, Housing material: Aluminium / Steel / Plastic, Colour: White structure, Permissible ambient temperature (ta): -20 °C - +25 °C, Protection class (EN 61140): I, Degree of protection (DIN EN 60529): IP20, .With electronic driver, DALI dimmable.

| Article data      |   |
|-------------------|---|
| Article no.       | 84014174                                |
| GTIN              | 4255752508229                           |
| Series name       | DEVON                                   |
| Short description | LED Pendant Ring Light, DALI-2 dimmable |
| Material          | Aluminium / Steel / Plastic             |
| Colour            | White                                   |
| Type of surface   | Structure                               |
| Shape             | Round                                   |
| Outer diameter    | 1800 mm                                 |
| Height            | 35 mm                                   |
| Weight            | 11.000 kg                               |

**DEVON LED Pendant Ring Light, DALI-2 dimmable**

Article no. 84014174

Light.  
For Generations.

| Lighting technology          |               |
|------------------------------|---------------|
| Colour temperature           | 4.000K        |
| Light colour                 | White         |
| Light output                 | Direct        |
| Luminous flux                | 8,100 lm      |
| System efficiency            | 100 lm/W      |
| McAdam-Step                  | McAdam-Step 3 |
| Colour rendering             | CRI > 90      |
| Reflector                    | Without       |
| Beam angle                   | 36°           |
| Glare evaluation             | UGR < 19      |
| Light sharing                | Symmetric     |
| Adjustable color temperature | No            |

| Operating technology of the luminaire |  |
|---------------------------------------|--|
| System output                         | 81 W   |
| Voltage type                          | AC   |
| AC nominal voltage max                | 230 V  |
| Frequency max                         | 50 Hz  |
| Lamp                                  | LED  |
| Lamp holder                           | LED  |
| Protection class                      | I  |
| Degree of protection                  | IP20   |
| Dimmable                              | Yes  |
| Control                               | DALI   |
| Bulb change possible                  | The light source of this luminaire may only be replaced by the manufacturer or a service technician commissioned by him or a similarly qualified person. |
| Rated life time L70/B50 at 25 °C      | 50,000 h   |

| Mounting technology              |                 |
|----------------------------------|-----------------|
| Mounting method                  | Suspended       |
| Place of installation            | Ceiling-mounted |
| Adjustability                    | Not adjustable  |
| stamp                            | UKCA            |
| Pendulum length min.             | 1,000 mm        |
| Pendulum length max.             | 5,000 mm        |
| Pendant length single suspension | 1000 - 5000 mm  |
| Pendulum length centre canopy    | 1000 - 5000 mm  |
| Number of cable suspensions      | 5               |
| Material cover                   | Plastic, opal   |
| Suitable for through-wiring      | No              |

| Packing data            |   |
|-------------------------|---|
| Gross weight            | 14 kg   |
| Length of packaging     | 1,830 mm  |
| Packaging width         | 1,830 mm  |
| Packaging height        | 90 mm   |
| Disposal at end of life | This product must not be disposed of with household waste. You are obliged, to dispose of such electrical waste separately.<br>By disposing of electrical waste and other old or defective electronics separately, you support recycling or other forms of re-use. In that way you help to take care and to avoid that harmful substances get into the environment. |