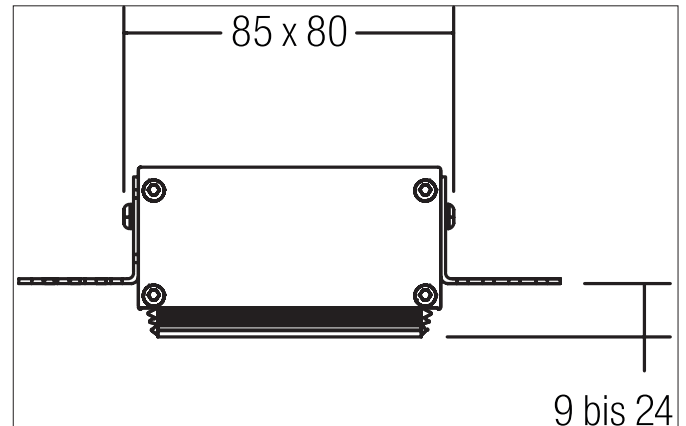


**COUPLED Plaster frame, square, for frameless mounting**

Artikel-Nr. 82042170

Licht.  
Für Generationen.**Tender**

Plaster frame, square, for frameless mounting, white, rectangular. In a compact design, for installation in tool-less rapid assembly systems. Plaster frame for recessed ceiling lights COUPLED as the basis for 12640/12645, 12642/12644 and 12641/12643. Mounting method: Recessed mounting, Place of installation: Ceiling-mounted, Material: Aluminium.

Article data	
Artikel-Nr.	82042170
GTIN	4251433916246
Series name	COUPLED
Kurzbeschreibung	Plaster frame, square, for frameless mounting
Material	Aluminium
Colour	White
Type of surface	Structure
Shape	rectangular
Built-in width	90 mm
Built-in length	80 mm
Length	75 mm
Width	83 mm
weight	0.213 kg

**Lighting technology****Operating technology of the luminaires**

Date 05.01.2022 All technical data as well as, weight and measurements are based on rated values and had been carefully prepared.

We reserve the right to make technical changes which are important in progressing. Product pictures are examples and can vary from the original. Subject to errors.

Orders are placed under our general terms and conditions under <https://www.brumberg.com/en/terms-and-conditions/general-terms-and-conditions-of-sale/>

**COUPLED Plaster frame, square, for frameless mounting**  
Artikel-Nr. 82042170Licht.  
Für Generationen.

Mounting technology	
Mounting method	Recessed mounting
Place of installation	Ceiling-mounted
Adjustability	Not adjustable

Packing data	
Gross weight	0.244 kg
Length of packaging	90 mm
Packaging width	85 mm
Packaging height	55 mm