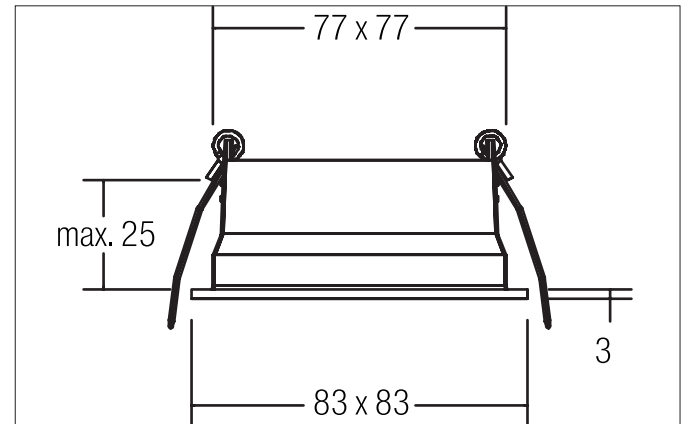
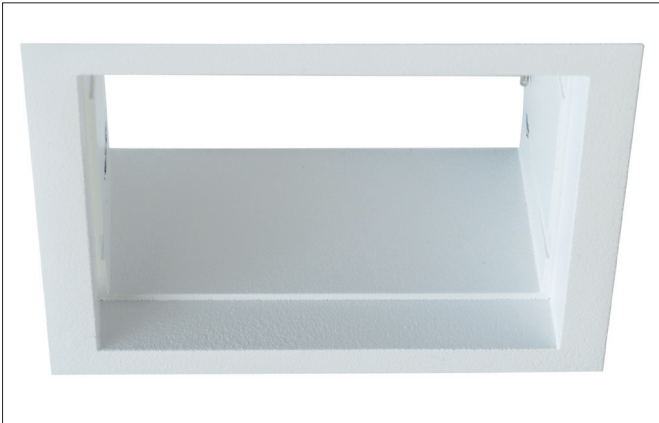


COUPLED Recessed frame COUPLED, square

Artikel-Nr. 82040170

Licht.
Für Generationen.**Tender**

Recessed frame COUPLED, square, white, square. In a compact design, for installation in tool-less rapid assembly systems. Installation frame for recessed ceiling lights COUPLED as the basis for 12640/12645, 12642/12644 and 12641/12643. Mounting method: Recessed mounting, Place of installation: Ceiling-mounted, Material: Aluminium.

Article data	
Artikel-Nr.	82040170
GTIN	4251433915973
Series name	COUPLED
Kurzbeschreibung	Recessed frame COUPLED, square
Material	Aluminium
Colour	White
Type of surface	Structure
Shape	square
Built-in width	77 mm
Built-in length	77 mm
Length	83 mm
Width	83 mm
weight	0.082 kg

Lighting technology**Operating technology of the luminaires**

Date 05.01.2022 All technical data as well as, weight and measurements are based on rated values and had been carefully prepared.

We reserve the right to make technical changes which are important in progressing. Product pictures are examples and can vary from the original.

Subject to errors.

Orders are placed under our general terms and conditions under <https://www.brumberg.com/en/terms-and-conditions/general-terms-and-conditions-of-sale/>

COUPLED Recessed frame COUPLED, square

Artikel-Nr. 82040170

Licht.
Für Generationen.

Mounting technology	
Mounting method	Recessed mounting
Place of installation	Ceiling-mounted
Adjustability	Not adjustable

Packing data	
Gross weight	0.118 kg
Length of packaging	95 mm
Packaging width	95 mm
Packaging height	55 mm