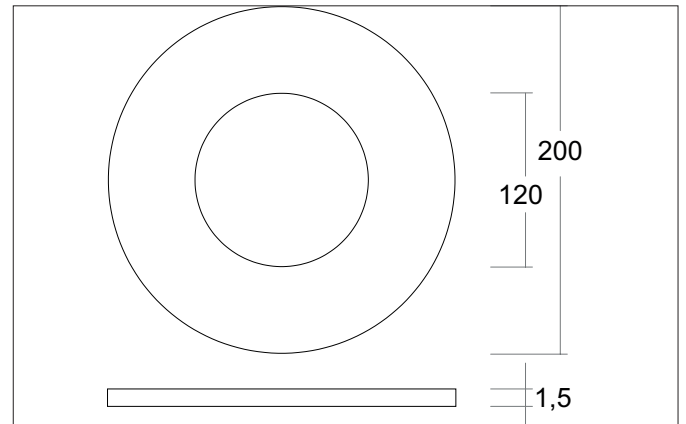


**KACIE MICRO Reducing ring for recessed downlight**

Article no. 81024160

Light.  
For Generations.**Tender**

Reducing ring for recessed downlight, silver structure, Round.Reducing ring for recessed downlights, diameter200 mm, inner diameter 120 mm,thickness 1,5 mm, with three fixing springs forthe ring itself in a pitch circle of 150 mm<P/></TEXT> Material: Steel, .

Article data	
Article no.	81024160
GTIN	4251433992608
Series name	KACIE MICRO
Short description	Reducing ring for recessed downlight
Material	Steel
Colour	Silver
Type of surface	Structure
Shape	Round
Outer diameter	200 mm
Hight	1.5 mm
Weight	0.323 kg

Packing data	
Gross weight	0.342 kg
Length of packaging	210 mm
Packaging width	210 mm
Packaging hight	45 mm
Disposal at end of life	This product must not be disposed of with household waste. You are obliged, to dispose of such electrical waste separately. By disposing of electrical waste and other old or defective electronics separately, you support recycling or other forms of re-use. In that way you help to take care and to avoid that harmful substances get into the environment.

**KACIE MICRO Reducing ring for recessed downlight**  
Article no. 81024160

Light.  
For Generations.