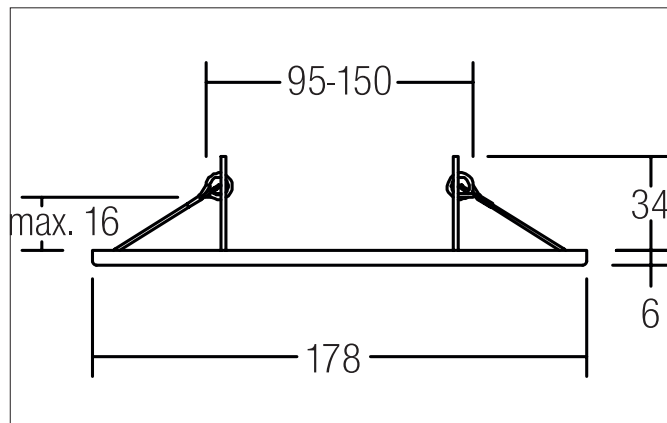
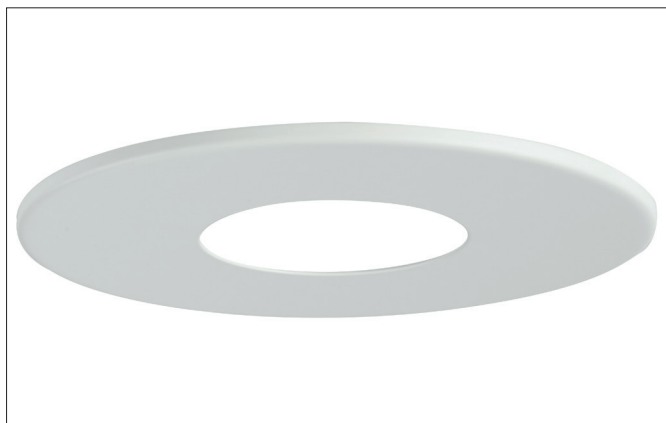


Reduction ring for recessed lights

Article no. 81003070

Light.
For Generations.



Tender	
Reduction ring for recessed lights, white.Reduction ring with inner hole 75 mm. Diameter: 178 mm. The final installation depth depends on the installed lamp. Installation depth without lamp: 34 mm. Maximum ceiling thickness: 16 mm, height: 6 mm. Usable for on-site openings of 95-150 mm. Material: Steel, .	

Article data	
Article no.	81003070
GTIN	4251433913573
Short description	Reduction ring for recessed lights
Material	Steel
Type of surface	Glossy
Weight	0.208 kg

Packing data	
Gross weight	0.274 kg
Length of packaging	185 mm
Packaging width	45 mm
Packaging height	185 mm
Disposal at end of life	This product must not be disposed of with household waste. You are obliged, to dispose of such electrical waste separately. By disposing of electrical waste and other old or defective electronics separately, you support recycling or other forms of re-use. In that way you help to take care and to avoid that harmful substances get into the environment.