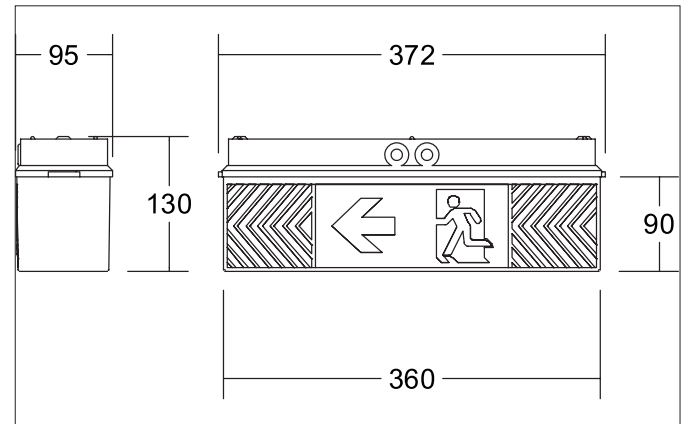


RESCUE ONE Exit sign luminaire

Article no. 79031004

Light.
For Generations.**Tender**

Exit sign luminaire, white. Surface mounting, Ceiling-/Wall-mounted. Escape sign light, recognition range 18 m, nominal operating time 3 h, nominal operating time can be changed to 8 h, then the emergency lighting factor (BLF) is only 40 %, ceiling or wall mounting, incl. LiFePO4 single battery and pictogram set. Lamp holder: Without fitting, Mounting method: Surface mounting, Place of installation: Ceiling-/Wall-mounted, Material: Polycarbonate, Degree of protection: according to DIN EN 60529 IP54, Protection class: (EN 61140) I, Voltage: 230V AC 50Hz, Power: 4.6 W, Colour temperature: 4.000 K, Light colour: White, Adjustability: Not adjustable, With control gear: Yes, .

Product Benefits

- Made in Germany.
- 5 years Brumberg warranty. (Registration via the Brumberg website in the Services section).
- Long standing and storage times due to LiFePO4 (Lithium Iron Phosphate) batteries. (* up to half a year, then recharge)
- A light for all operating hours.
- 8 hrs. for accommodation facilities.
- 3 hrs. for all other areas.
- Self-adhesive pictogram set, quick replacement.
- Illumination of the escape sign > 200 cd/m².
- Technical design according to EN 60598.2.22.
- All with AUTOTEST - function from the outside with visible test LED, which is performed independently by the luminaire every 30 days.
- Rescue ONE: made of plastic, durable and robust
- Rescue TWO: made of aluminum, aesthetic and functional

RESCUE ONE Exit sign luminaire

Article no. 79031004

Light.
For Generations.

Article data	
Article no.	79031004
GTIN	4251433949497
Series name	RESCUE ONE
Short description	Exit sign luminaire
Material	Polycarbonate
Colour	White
Length	372 mm
Width	95 mm
Height	130 mm
Weight	0.777 kg

Lighting technology	
Colour temperature	4.000 K
Light colour	White

Operating technology of the luminaire	
System output	4.6 W
Voltage type	AC
AC nominal voltage max	230 V
Frequency max	50 Hz
Lamp	LED
Lamp holder	Without fitting
Protection class	I
Degree of protection	IP54
Ambient temperature	+5 up to +45°C
Bulb change possible	The light source of this luminaire may only be replaced by the manufacturer or a service technician commissioned by him or a similarly qualified person.

Operating technology of emergency light	
Recognition distance	18 m
Battery type	LiFePO4
Function	Escape route signage
Type of marking	One-/two-sided
Electric feeding	Decentralised (single battery)
Nominal operating time at BLF 100 %	3 h
Nominal operating time at BLF 40 %	8 h
Rated operating time	switchable
Monitoring device	Automatic self-test

Mounting technology	
Mounting method	Surface mounting
Place of installation	Ceiling-/Wall-mounted
Adjustability	Not adjustable
Impact resistance	IK07
stamp	UKCA
Material cover	Plastic, opal
Suitable for through-wiring	Yes

RESCUE ONE Exit sign luminaire

Article no. 79031004

Light.
For Generations.

Packing data	
Gross weight	0.992 kg
Length of packaging	380 mm
Packaging width	150 mm
Packaging height	105 mm
Disposal at end of life	<p>This product must not be disposed of with household waste. You are obliged, to dispose of such electrical waste separately.</p> <p>By disposing of electrical waste and other old or defective electronics separately, you support recycling or other forms of re-use. In that way you help to take care and to avoid that harmful substances get into the environment.</p>

Required accessories	
----------------------	--