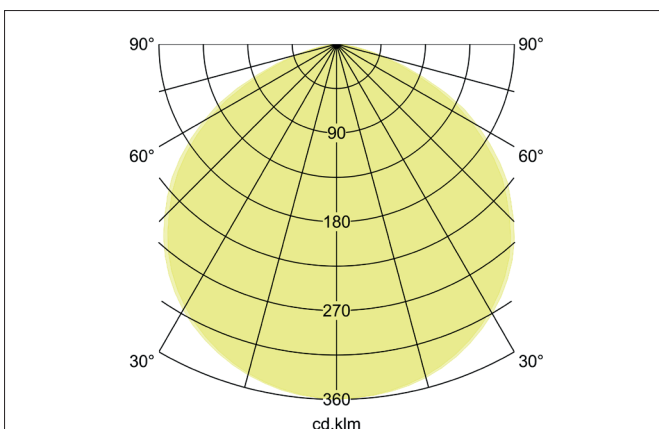
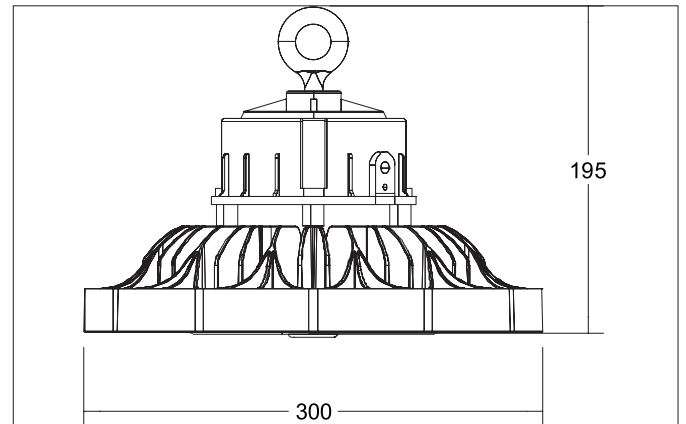


**SOL MIDI MULTIPOWER LED highbay luminaire, dali dimmable**

Article no. 78313084

Light.  
For Generations.**Tender**

LED highbay luminaire, dali dimmable, Round. Luminaire diameter 300.0 mm, Height 195.0 mm Weight 3.5 kg, with rotationssymmetrical, deep, wide distributed light intensity. optimal light distribution due to a plastic, transparent cover. Luminous flux 26.100 lm, Power 1 x 160 W, Light colour neutral white, Correlated color temperature (CCT) 4.000 K, Colour rendering index CRI > 80, Rated life time L70/B50 at 25 °C: 50.000 h, Rated life time L80/B50 at 25 °C: 50.000 h, Housing material: Aluminium / Polycarbonate, Colour: Black, Permissible ambient temperature (ta): -25 to +45°C, Protection class (EN 61140): I, Degree of protection (DIN EN 60529): IP65, shock resistance according to IEC62262: IK09 .With electronic driver, DALI-2 dimmable.

**Product Benefits**

- 5 years Brumberg light warranty.
- D mark.
- Dip switches for multilumen: 160 / 130 / 110 / 85 W.
- Long life: L80B50 >50,000 h at 25 °C.
- High luminous efficacy.
- Dimmable as standard: DALI-2.
- Wide range of accessories.
- Protection class: IP65.
- Low maintenance lighting realization.
- Ambient temperature range: -25 °C to +45 °C.

**SOL MIDI MULTIPOWER LED highbay luminaire, dali dimmable**

Article no. 78313084

Light.  
For Generations.

| Bestromung | Leistung | Lichtstrom | 1   | 2   | 3   |
|------------|----------|------------|-----|-----|-----|
| 340 mA     | 85 W     | 14.300 lm  | Aus | Aus | Aus |
| 420 mA     | 110 W    | 17.900 lm  | Aus | Aus | An  |
| 500 mA     | 130 W    | 21.200 lm  | Aus | An  | Aus |
| 620 mA     | 160 W    | 26.100 lm  | An  | Aus | Aus |

| Article data                  |   |
|-------------------------------|---|
| Article no.                   | 78313084  |
| GTIN                          | 4251433994572   |
| Series name                   | SOL MIDI MULTIPOWER   |
| Short description             | LED highbay luminaire, dali dimmable  |
| Material                      | Aluminium / Polycarbonate   |
| Colour                        | Black   |
| Shape                         | Round   |
| Outer diameter                | 300 mm  |
| Hight                         | 195 mm  |
| Scope of delivery             | Delivery: incl. screwable fixing eye, shrink end caps on the DALI cable and connection cable 1,500 mm |
| Weight                        | 3.500 kg  |
| Length of the connection line | 1,500 mm  |

| Lighting technology          |               |
|------------------------------|---------------|
| Colour temperature           | 4.000 K       |
| Light colour                 | White         |
| Light output                 | Direct        |
| Luminous flux                | 26,100 lm     |
| System efficiency            | 163 lm/W      |
| McAdam-Step                  | McAdam-Step 4 |
| Colour rendering             | CRI > 80      |
| Luminaire optics             | Lens          |
| Beam angle                   | 120°          |
| Light sharing                | Symmetric     |
| Adjustable color temperature | No            |

| Operating technology of the luminaire |  |
|---------------------------------------|--|
| Voltage type                          | AC   |
| AC nominal voltage max                | 230 V  |
| Frequency max                         | 50 Hz  |
| Lamp                                  | LED  |
| Lamp holder                           | Without fitting  |
| Protection class                      | I  |
| Degree of protection                  | IP65   |
| Ambient temperature                   | -25 bis +45 °C   |
| Dimmable                              | Yes  |
| Control                               | DALI-2   |
| Minimum / maximum dimming range       | 10 - 100 %   |
| Length of the connection line         | 1,500 mm   |
| Design of the connecting cable        | Unilateral   |
| Bulb change possible                  | The light source of this luminaire may only be replaced by the manufacturer or a service technician commissioned by him or a similarly qualified person. |
| Rated life time L70/B50 at 25 °C      | 50,000 h   |
| Rated life time L80/B50 at 25 °C      | 50.000 h   |

**SOL MIDI MULTIPOWER LED highbay luminaire, dali dimmable**



Article no. 78313084

Light.  
For Generations.

| Mounting technology         |                                |
|-----------------------------|--------------------------------|
| Mounting method             | Suspended                      |
| Place of installation       | Ceiling-mounted                |
| Impact resistance           | IK09                           |
| stamp                       | UKCA                           |
| Material cover              | Plastic, transparent           |
| Suitable for through-wiring | Yes, with optional accessories |

| Packing data            |   |
|-------------------------|---|
| Gross weight            | 4.1 kg  |
| Length of packaging     | 305 mm  |
| Packaging width         | 180 mm  |
| Packaging height        | 345 mm  |
| Disposal at end of life | This product must not be disposed of with household waste. You are obliged, to dispose of such electrical waste separately.<br>By disposing of electrical waste and other old or defective electronics separately, you support recycling or other forms of re-use. In that way you help to take care and to avoid that harmful substances get into the environment. |

**Required accessories**

| Accessories   |   |
|---|---|
|                 | Article no.: 8 1058000<br>Y-cable connector, 5-pole, IP68, black            |
|  | Article no.: 8 1050000<br>Reducer, NPT 3/4" on M10<br><br>Dimensions: 70 mm |