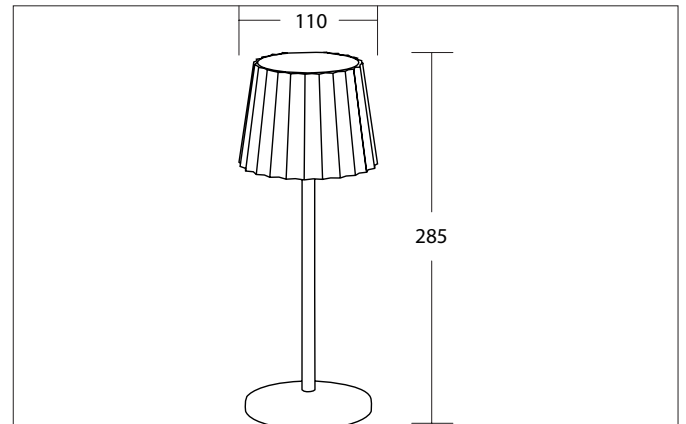


REIRO LED rechargeable table lamp, IP54, dimmable
Article no. 65411003PI

Light.
For Generations.



Tender

LED rechargeable table lamp, IP54, dimmable., Luminaire width 110.0 mm, Hight 285.0 mm Weight 0.777 kg, Luminous flux 150 lm, Power 1 x 2,2 W, Colour rendering index CRI > 80, Housing material: Aluminium / Glass / Plastic, Colour: pink, Permissible ambient temperature (ta): -20 °C - +25 °C, Protection class (EN 61140): III, Degree of protection (DIN EN 60529): IP54, .With electronic driver, PUSH-Dimm dimmable.

Article data	
Article no.	65411003PI
GTIN	4255752507796
Series name	REIRO
Short description	LED rechargeable table lamp, IP54, dimmable
Material	Aluminium / Glass / Plastic
Colour	pink
Type of surface	Structure
Width	110 mm
Hight	285 mm
Scope of delivery	inkl. USB-C Ladekabel - 1 x 3.600 mA Lithium Batterie. - Ladezeit: 4,5 Std. - Arbeitszeit: 7,5 Std.
Weight	0.777 kg
stamp	UKCA
Conformance	CE, UKCA

REIRO LED rechargeable table lamp, IP54, dimmable

Article no. 65411003PI

Light.
For Generations.

Lighting technology	
Colour temperature	3.000 K
Light colour	White
Light output	Direct
Luminous flux	150 lm
System efficiency	31 lm/W
Colour rendering	CRI > 80
Adjustable color temperature	No

Operating technology of the luminaire	
System output	4.8 W
Voltage type	DC
DC nominal voltage max	5 V
Lamp	LED
Lamp holder	Without fitting
Protection class	III
Degree of protection	IP54
Dimmable	Yes
Control	PUSH-Dimm
Bulb change possible	The light source of this luminaire may only be replaced by the manufacturer or a service technician commissioned by him or a similarly qualified person.

Mounting technology	
Mounting method	Surface mounting
Place of installation	Floor-mounted
Suitable for through-wiring	No

Packing data	
Gross weight	0.777 kg
Length of packaging	145 mm
Packaging width	145 mm
Packaging height	335 mm
Disposal at end of life	This product must not be disposed of with household waste. You are obliged, to dispose of such electrical waste separately. By disposing of electrical waste and other old or defective electronics separately, you support recycling or other forms of re-use. In that way you help to take care and to avoid that harmful substances get into the environment.