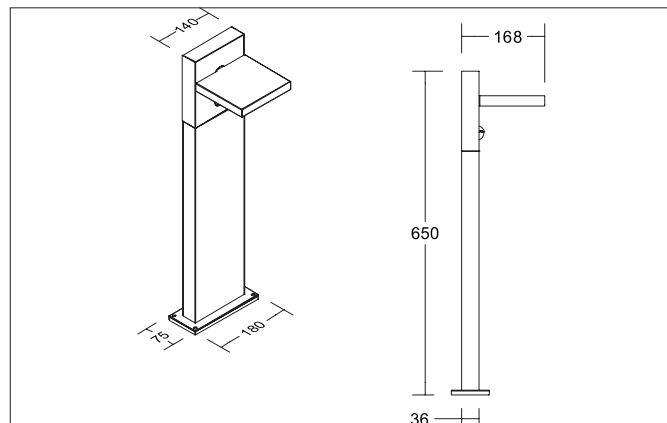


APORIA LED bollard luminaire, IP54

Article no. 65132103

Light.
For Generations.**Tender**

LED bollard luminaire, IP54, Rectangular. Luminaire length 168.0 mm, Luminaire width 140.0 mm, Hight 650.0 mm Weight 2.98 kg, ,Luminous flux 700 lm, Power 1 x 14 W, Light colour warm white to warm white, Correlated color temprature (CCT) 3.000 - 3.000 K, Colour rendering index CRI > 80, Housing material: Aluminium / Plastic, Colour: Graphite structure, Permissible ambient temperature (ta): -20 °C - +25 °C, Protection class (EN 61140): I, Degree of protection (DIN EN 60529): IP54, .With electronic driver, on/off switchable.

Product Benefits

Motion detector:

Light duration: from 5 seconds to 10 minutes

Range: from 6 to 10 meters

Detection angle: 120

Twilight setting: 20 - 2,000 lux

Function mode: on / off, light turns off completely after movement

APORIA LED bollard luminaire, IP54

Article no. 65132103

Light.
For Generations.

Article data	
Article no.	65132103
GTIN	4251433982890
Series name	APORIA
Short description	LED bollard luminaire, IP54
Material	Aluminium / Plastic
Colour	Graphite
Type of surface	Structure
Shape	Rectangular
Length	168 mm
Width	140 mm
Height	650 mm
Scope of delivery	incl. converter for connection to 230 V mains voltage, switchable
Weight	2.980 kg

Lighting technology	
Colour temperature	3.000 K
Light colour	White
Light output	Direct
Luminous flux	700 lm
System efficiency	50 lm/W
McAdam-Step	McAdam-Step 6
Colour rendering	CRI > 80
Beam angle	120°
Adjustable color temperature	No

Operating technology of the luminaire	
System output	14 W
Voltage type	AC
AC nominal voltage max	230 V
Frequenz max.	50 Hz
Frequenz min.	50 Hz
Lamp	LED
Lamp holder	Without fitting
Protection class	I
Degree of protection	IP54
Control	on/off
Bulb change possible	The light source of this luminaire may only be replaced by the manufacturer or a service technician commissioned by him or a similarly qualified person.

Mounting technology	
Mounting method	Surface mounting
Place of installation	Floor-mounted
Adjustability	Pivoted
Rotation angle	60°
Further references	Outdoor

Packing data	
Gross weight	3.312 kg
Length of packaging	300 mm
Packaging width	300 mm
Packaging height	800 mm
Disposal at end of life	This product must not be disposed of with household waste. You are obliged, to dispose of such electrical waste separately. By disposing of electrical waste and other old or defective electronics separately, you support recycling or other forms of re-use. In that way you help to take care and to avoid that harmful substances get into the environment.