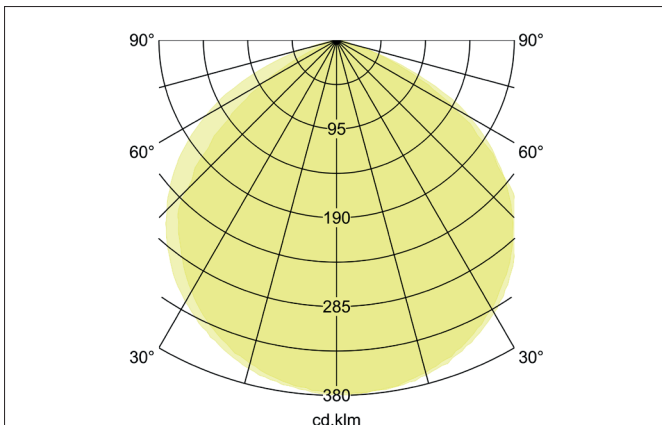
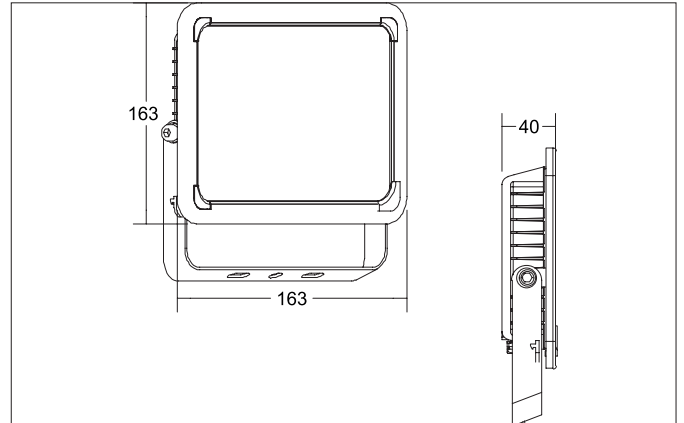


NEO MIDI LED Floodlight, IP65
Article no. 60813184

Light.
For Generations.



Tender
LED Floodlight, IP65, Rectangular. Luminaire length 233.0 mm, Luminaire width 160.0 mm, Hight 40.0 mm Weight 1.063 kg, with rotattionssymmetrical, deep, wide distributed light intensity. optimal light distribution due to a glass transparent cover. Luminous flux 6.100 lm, UGR < 25, Power 50 W, Light colour neutral white, Correlated color temperature (CCT) 4.000 K, Colour rendering index CRI > 80, Rated life time L80/B10 at 25 °C: 50.000 h, Housing material: Aluminium / Glass, Colour: Black, Permissible ambient temperature (ta): -20 °C - +25 °C, Protection class (EN 61140): I, Degree of protection (DIN EN 60529): IP65, shock resistance according to IEC62262: IK08 .With electronic driver, on/off switchable.

Article data	
Article no.	60813184
GTIN	4251433971795
Series name	NEO MIDI
Short description	LED Floodlight, IP65
Material	Aluminium / Glass
Colour	Black
Type of surface	Structure
Shape	Rectangular
Length	233 mm
Width	160 mm
Hight	40 mm
Scope of delivery	incl. converter for connection to 230 V mains voltage and connection cable 1,000 mm
Weight	1.063 kg

NEO MIDI LED Floodlight, IP65

Article no. 60813184

Light.
For Generations.

Lighting technology	
Colour temperature	4.000 K
Light colour	White
Light output	Direct
Luminous flux	6,100 lm
System efficiency	122 lm/W
Colour rendering	CRI > 80
Luminaire optics	Lens
Reflector	Other
Beam angle	120°
Glare evaluation	UGR < 25
Light sharing	Symmetric
Adjustable color temperature	No

Operating technology of the luminaire	
Voltage type	AC
AC nominal voltage max	230 V
Frequenz max.	50 Hz
Lamp	LED
Lamp holder	Without fitting
Protection class	I
Degree of protection	IP65
Control	on/off
Bulb change possible	The light source of this luminaire may only be replaced by the manufacturer or a service technician commissioned by him or a similarly qualified person.

Mounting technology	
Mounting method	Surface mounting
Place of installation	Wall-mounted
Adjustability	Pivoted
Impact resistance	IK08
stamp	UKCA
Material cover	Glass transparent
Suitable for through-wiring	No

Packing data	
Gross weight	1.138 kg
Length of packaging	240 mm
Packaging width	200 mm
Packaging height	45 mm
Disposal at end of life	This product must not be disposed of with household waste. You are obliged, to dispose of such electrical waste separately. By disposing of electrical waste and other old or defective electronics separately, you support recycling or other forms of re-use. In that way you help to take care and to avoid that harmful substances get into the environment.

Required accessories	