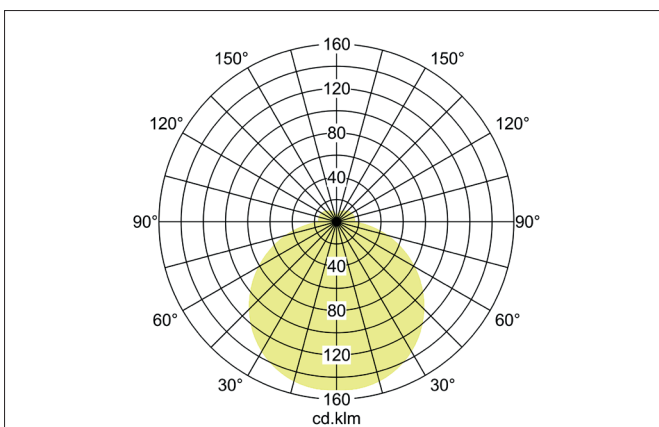
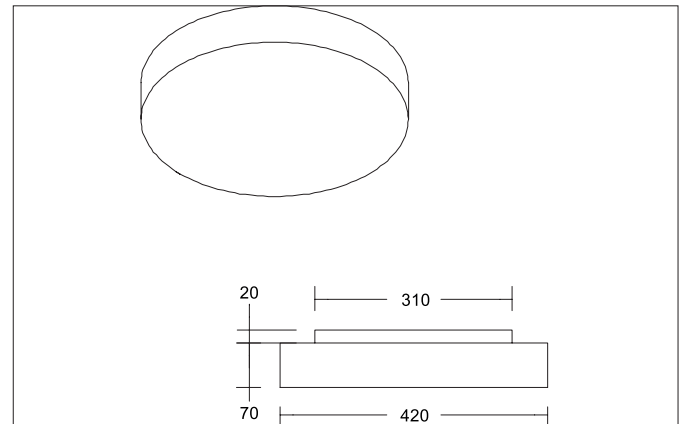


**CELTIS MIDI LED surface mounted luminaire 420 mm, with indirect light component**

Article no. 58214771

Light.  
For Generations.**Tender**

LED surface mounted luminaire 420 mm, with indirect light component, shade grey purple, Round.Surface mounting, Ceiling-mounted Ceiling luminaire in round design, light emission through mouth-blown, matte opal glass with indirect light component. On/off switchable. Shade material: Chintz. For more available shade variants and special solutions you can download a PDF file for each product online from our website.Lamp holder: Without fitting, Mounting method: Surface mounting, Place of installation: Ceiling-mounted, Degree of protection: according to DIN EN 60529 IP20, Protection class: (EN 61140) I, Voltage: 230V AC 50Hz, Power: 25 W, Amount of light sources / fittings: 1 Qty, Luminous flux : 1.990 lm, Colour temperature: 3.000 K, Dimmable: No, Control: on/off.

Article data	
Article no.	58214771
GTIN	4251433945246
Series name	CELTIS MIDI
Short description	LED surface mounted luminaire 420 mm, with indirect light component
Material	Steel
Colour	White
Shape	Round
Outer diameter	420 mm
Height	90 mm
Shade colour	Gray purple
Shade material	Chintz
Chintz colour code	66.8003.71
Weight	1.200 kg

**CELTIS MIDI LED surface mounted luminaire 420 mm, with indirect light component**

Article no. 58214771

Light.  
For Generations.

Lighting technology	
Colour temperature	3.000 K
Light colour	White
Luminous flux	1,990 lm
Colour rendering	CRI > 80
Reflector	Without
Light sharing	Symmetric
Adjustable color temperature	No

Operating technology of the luminaire	
Voltage type	AC
AC nominal voltage max	230 V
Frequency max	50 Hz
Lamp	LED
Lamp holder	Without fitting
Protection class	I
Degree of protection	IP20
Dimmable	No
Control	on/off
Bulb change possible	The light source of this luminaire may only be replaced by the manufacturer or a service technician commissioned by him or a similarly qualified person.

Mounting technology	
Mounting method	Surface mounting
Place of installation	Ceiling-mounted
Adjustability	Not adjustable
stamp	UKCA

Packing data	
Gross weight	1.3 kg
Length of packaging	600 mm
Packaging width	505 mm
Packaging height	785 mm
Disposal at end of life	This product must not be disposed of with household waste. You are obliged, to dispose of such electrical waste separately. By disposing of electrical waste and other old or defective electronics separately, you support recycling or other forms of re-use. In that way you help to take care and to avoid that harmful substances get into the environment.