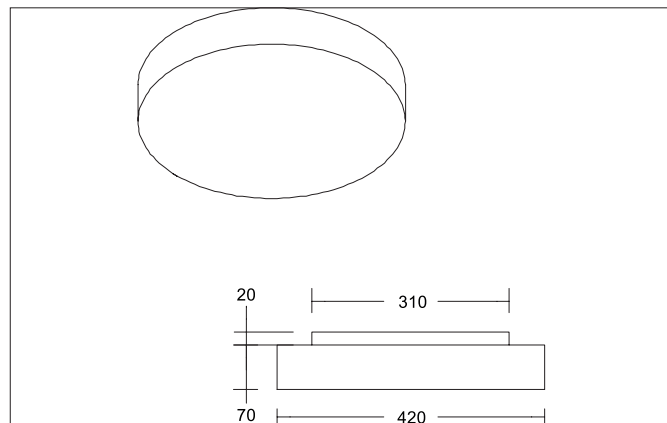


CELTIS MIDI Surface mounted luminaire 420 mm, with indirect light component

Article no. 58213000

Light.
For Generations.**Tender**

Surface mounted luminaire 420 mm, with indirect light component, shade orange, Round. Surface mounting, Ceiling-mounted Ceiling luminaire in round design, light emission through mouth-blown, matte opal glass with indirect light component. Shade material: chintz. For more available shade variants and special solutions you can download a PDF file for each product online from our website. Lamp holder: E27, Mounting method: Surface mounting, Place of installation: Ceiling-mounted, Degree of protection: according to DIN EN 60529 IP20, Protection class: (EN 61140) I, Voltage: 230V AC 50Hz, Power: 60 W, Amount of light sources / fittings: 3 Qty, without control gear, Control: Other.

| Article data | |
|--------------------|---|
| Article no. | 58213000 |
| GTIN | 4251433921004 |
| Series name | CELTIS MIDI |
| Short description | Surface mounted luminaire 420 mm, with indirect light component |
| Material | Steel |
| Colour | White |
| Shape | Round |
| Outer diameter | 420 mm |
| Hight | 90 mm |
| Shade colour | Orange |
| Shade material | Chintz |
| Chintz colour code | 66.8003.62 |
| Weight | 5.800 kg |

CELTIS MIDI Surface mounted luminaire 420 mm, with indirect light component

Article no. 58213000

Light.
For Generations.

| Operating technology of the luminaire | |
|---------------------------------------|-------|
| Voltage type | AC |
| AC nominal voltage max | 230 V |
| Frequency max | 50 Hz |
| Lamp holder | E27 |
| Protection class | I |
| Degree of protection | IP20 |
| Control | Other |
| Bulb change possible | Yes |

| Mounting technology | |
|-----------------------|------------------|
| Mounting method | Surface mounting |
| Place of installation | Ceiling-mounted |
| Adjustability | Not adjustable |
| stamp | UKCA |

| Packing data | |
|-------------------------|---|
| Gross weight | 6.3 kg |
| Length of packaging | 450 mm |
| Packaging width | 450 mm |
| Packaging height | 450 mm |
| Disposal at end of life | This product must not be disposed of with household waste. You are obliged, to dispose of such electrical waste separately. By disposing of electrical waste and other old or defective electronics separately, you support recycling or other forms of re-use. In that way you help to take care and to avoid that harmful substances get into the environment. |