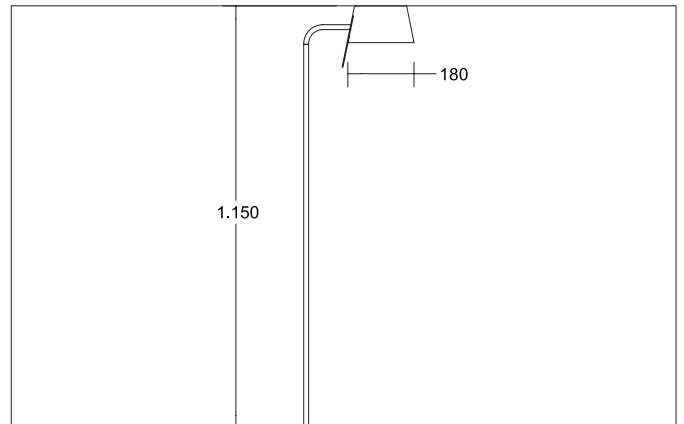


**EUGENIA Floor light, with fabric shade**

Article no. 58120150

Light.  
For Generations.**Tender**

Floor light, with fabric shade, nickel satin / shade brown, Round. Surface mounting, Floor-mounted. Floor light with a fabric shade, head can be pivoted by 180°, shade material: chintz, surface: nickel satin, approximately 1700 mm visible, black supply line with cord between foot switch and Euro flat plug. For more available shade variants and special solutions you can download a PDF file for each product online from our website. Lamp holder: G9, Mounting method: Surface mounting, Place of installation: Floor-mounted, Degree of protection: according to DIN EN 60529 IP20, Protection class: (EN 61140) II, Voltage: 230V AC 50Hz, Power: 48 W, Amount of light sources / fittings: 1 Qty, without control gear, Control: Other.

Article data	
Article no.	58120150
GTIN	4251433920779
Series name	EUGENIA
Short description	Floor light, with fabric shade
Material	Aluminium / Brass / Iron
Colour	Nickel
Shape	Round
Height	1150 mm
Shade colour	Brown
Shade material	Chintz
Weight	2.783 kg

**EUGENIA Floor light, with fabric shade**

Article no. 58120150

Light.  
For Generations.

Operating technology of the luminaire	
Voltage type	AC
AC nominal voltage max	230 V
Frequenz max.	50 Hz
Lamp	For high-voltage retrofit lamp
Lamp holder	G9
Protection class	II
Degree of protection	IP20
Control	Other
Bulb change possible	Yes

Mounting technology	
Mounting method	Surface mounting
Place of installation	Floor-mounted
Adjustability	Pivoted

Packing data	
Gross weight	4.5 kg
Length of packaging	1,200 mm
Packaging width	300 mm
Packaging height	450 mm
Disposal at end of life	This product must not be disposed of with household waste. You are obliged, to dispose of such electrical waste separately. By disposing of electrical waste and other old or defective electronics separately, you support recycling or other forms of re-use. In that way you help to take care and to avoid that harmful substances get into the environment.