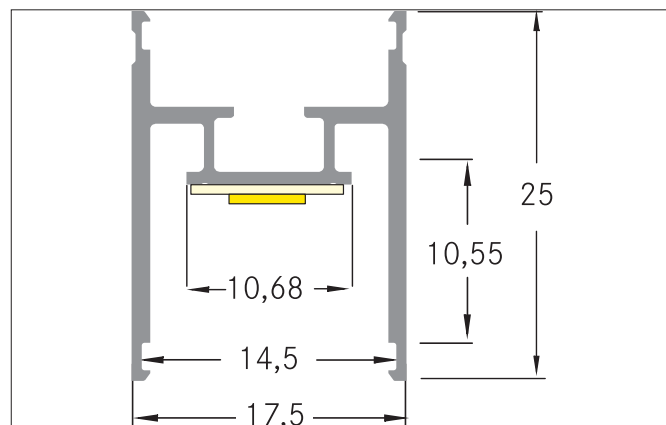


P02-10 Surface-mounted profile P02-10

Artikel-Nr. 53605081

Licht.
Für Generationen.**Tender**

Surface-mounted profile P02-10, alu. For optimal attachment of the profile this holders are suitable 53034000. For connecting of two profiles is the connector 53030000 optimal suited. With the use of profile covers 53440000 53440070 53440080 the additional mechanical protection and optimal light distribution can be achieved. The associated end cap set is under 53087 available. Mounting method: Mounting profile. Material: Aluminium, dimensions profile: length: 2.000 mm x width: 17,5 mm x height: 25 mm .

Article data	
Artikel-Nr.	53605081
GTIN	
Series name	P02-10
Kurzbeschreibung	Surface-mounted profile P02-10
Material	Aluminium
Colour	Alu
Length	2,000 mm
Width	17,5 mm
Aufbauhöhe	25 mm
weight	0.543 kg

Packing data	
Gross weight	0.946 kg
Length of packaging	2,020 mm
Packaging width	80 mm
Packaging height	40 mm