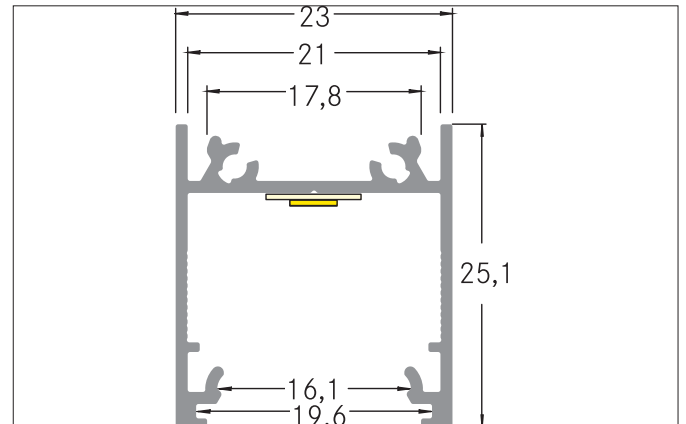


**P06-20 Surface-mounted profile**

Article no. 53603260

Light.  
For Generations.**Tender**

Surface-mounted profile, alu anodized. For optimal attachment of the profile this holders are suitable 53003000 53006000. For connecting of two profiles is the connector 53007000 optimal suited. With the use of profile covers 53402000 53402070 53402080 53432070 the additional mechanical protection and optimal light distribution can be achieved. The associated end cap set is under 53057260 available. Additionally the corner connector 53059260 can easily be used to create a 90 ° angle. Mounting method: Mounting profile. Material: Aluminium, dimensions profile: length: 2.000 mm x width: 23 mm x height: 25,1 mm

**Product Benefits**

- Up to 4 meters in length in one piece.
- (For deliveries over 2000 mm: please ask for delivery costs separately).
- Matching covers available in transparent, opal and black.
  - Surface mounted profile can also be used as a pendulum profile.
  - Large light emission due to height-shifted cover.
  - We offer the right end caps for each cover.

Article data	
Article no.	53603260
GTIN	4251433912590
Series name	P06-20
Short description	Surface-mounted profile
Material	Aluminium
Colour	Silver
Length	2,000 mm
Width	23 mm
Hight	25.1 mm
Weight	0.700 kg

**P06-20 Surface-mounted profile**

Article no. 53603260

Light.  
For Generations.

Packing data	
Gross weight	1.08 kg
Length of packaging	2,020 mm
Packaging width	45 mm
Packaging height	45 mm
Note	Please note that the materials aluminium and PMMA or PC can expand differently with changes in temperature! At a temperature change of 10°C, the coefficient of expansion is approx. aluminium is approx. 0.7mm per metre, for plastic approx. 1.5mm per metre. This is not a defect in the product, this is a normal physical process.
Disposal at end of life	This product must not be disposed of with household waste. You are obliged, to dispose of such electrical waste separately. By disposing of electrical waste and other old or defective electronics separately, you support recycling or other forms of re-use. In that way you help to take care and to avoid that harmful substances get into the environment.