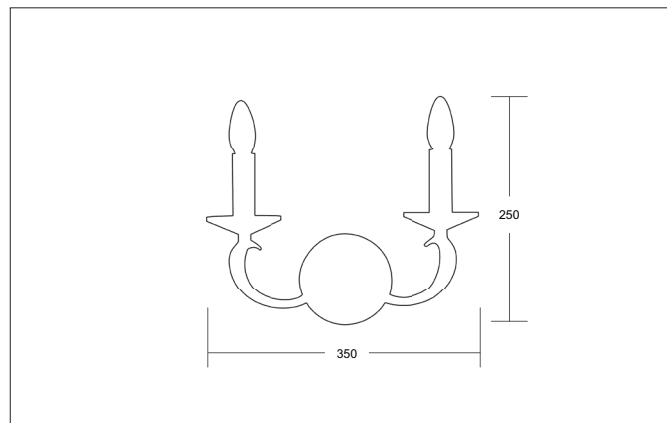


RAVENNA Wall light

Article no. 50802020

Light.
For Generations.**Tender**

Wall light, chrome, Other.Surface mounting, Wall-mountedWandanbauleuchte, mit Kristallen.Lamp holder: E14, Mounting method: Surface mounting, Place of installation: Wall-mounted, Material: Cast Brass / Crystal, Degree of protection: according to DIN EN 60529 IP20, Protection class: (EN 61140) I, Voltage: 230V AC 50Hz, Power: 80 W, Amount of light sources / fittings: 2 Qty, withou control gear, Control: Other.

Article data	
Article no.	50802020
GTIN	425004777 1890
Series name	RAVENNA
Short description	Wall light
Material	Other
Colour	Chrome
Type of surface	Glossy
Shape	Other
Width	350 mm
Hight	250 mm
Weight	1.480 kg

RAVENNA Wall light

Article no. 50802020

Light.
For Generations.

Operating technology of the luminaire	
Voltage type	AC
AC nominal voltage max	230 V
Frequenz max.	50 Hz
Lamp	Incandescent lamp
Lamp holder	E14
Protection class	I
Degree of protection	IP20
Control	Other
Bulb change possible	Yes

Mounting technology	
Mounting method	Surface mounting
Place of installation	Wall-mounted
stamp	UKCA

Packing data	
Gross weight	1.78 kg
Length of packaging	400 mm
Packaging width	400 mm
Packaging height	300 mm
Disposal at end of life	This product must not be disposed of with household waste. You are obliged, to dispose of such electrical waste separately. By disposing of electrical waste and other old or defective electronics separately, you support recycling or other forms of re-use. In that way you help to take care and to avoid that harmful substances get into the environment.