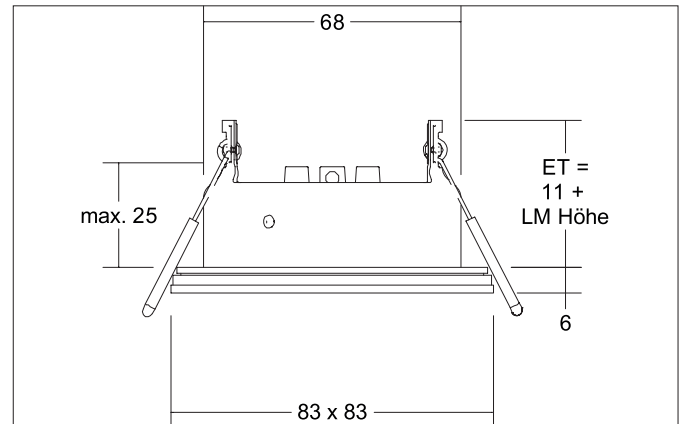


**COVER-UP-S Recessed downlight, IP44**

Article no. 45321080

Light.  
For Generations.**Tender**

Recessed downlight, IP44, black with clear decorative glass, Square. In a compact design, for installation in tool-less rapid assembly systems. All Brumberg MR16 LED modules can be used for the installation unit COVER-UP up to the maximum specified power. The installation depth of the luminaire depends on the LED module used (here: 11 mm, plus height of the LED module). The LED module is not included in the scope of delivery of the installation unit. Mounting method: Recessed mounting, Place of installation: Ceiling-mounted, Material: Aluminium / Steel / Glass, Degree of protection: according to DIN EN 60529 IP44, Protection class: (EN 61140) III, Power: 14 W, Adjustability: Not adjustable, without control gear, Control: Depending on driver.

Article data	
Article no.	45321080
GTIN	4251433932758
Series name	COVER-UP-S
Short description	Recessed downlight, IP44
Material	Aluminium / Steel / Glass
Colour	Black
Type of surface	Glossy
Shape	Square
Built-in diameter	68 mm
Length	83 mm
Width	83 mm
Height	6 mm
Scope of delivery	Incl. rear LED module holder and transparent decorative glass
Weight	0.163 kg

**COVER-UP-S Recessed downlight, IP44**

Article no. 4532 1080

Light.  
For Generations.

Lighting technology	
Colour temperature	Je nach verwendetem Brumberg MR16-LED-Modul
Light output	Direct
Light sharing	Symmetric
Adjustable color temperature	No

Operating technology of the luminaire	
System output	14 W
Voltage type	DC
Lamp	For LED
Protection class	III
Degree of protection	IP44
Schutzart deckenseitig	IP20
Control	Depending on driver
Bulb change possible	Yes

Mounting technology	
Mounting method	Recessed mounting
Place of installation	Ceiling-mounted
Adjustability	Not adjustable
Max. ceiling thickness	25 mm
Further references	No cover with thermal insulation material
Material cover	Glass transparent
Circlip	Without circlip

Packing data	
Gross weight	0.182 kg
Length of packaging	100 mm
Packaging width	55 mm
Packaging height	100 mm
Disposal at end of life	This product must not be disposed of with household waste. You are obliged, to dispose of such electrical waste separately. By disposing of electrical waste and other old or defective electronics separately, you support recycling or other forms of re-use. In that way you help to take care and to avoid that harmful substances get into the environment.