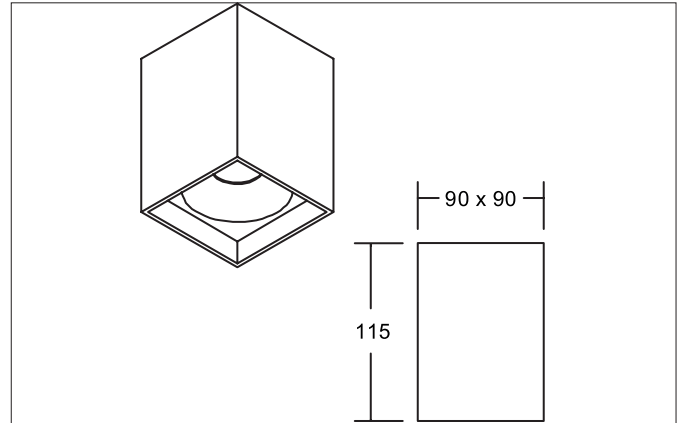


M1 Surface mounted housing square, recessed, with module bracket flush, pivoted

Article no. 45103180

Light.
For Generations.**Tender**

Surface mounted housing square, recessed, with module bracket flush, pivoted, black structure, Square. Surface mounting, Ceiling-mounted. All Brumberg MR16 LED modules can be used for the surface mounted unit M1 up to the specified power. The LED module, the converter or the power supply and, if applicable, the control unit are not included in the scope of delivery of the surface mounted unit. We will be happy to answer any questions you may have about the selection of converters that fit into the housing. Important: when using 24 V LED modules, the power supply and the control unit must always be installed on site outside the housing. Lamp holder: Without fitting, Mounting method: Surface mounting, Place of installation: Ceiling-mounted, Material: Aluminium, Degree of protection: according to DIN EN 60529 IP20, Protection class: (EN 61140) III, Power: 8 W, Amount of light sources / fittings: 1 Qty, Adjustability: Pivoted, without control gear, Control: Other.

Article data	
Article no.	45103180
GTIN	4251433931980
Series name	M1
Short description	Surface mounted housing square, recessed, with module bracket flush, pivoted
Material	Aluminium
Colour	Black
Type of surface	Structure
Shape	Square
Length	90 mm
Width	90 mm
Height	115 mm
Scope of delivery	Incl. module holder flush, pivoted
Weight	0.409 kg

M1 Surface mounted housing square, recessed, with module bracket flush, pivoted

Article no. 45103180

Light.
For Generations.

Operating technology of the luminaire	
Lamp	For LED
Lamp holder	Without fitting
Protection class	III
Degree of protection	IP20
Control	Depending on driver
Bulb change possible	Yes

Mounting technology	
Mounting method	Surface mounting
Place of installation	Ceiling-mounted
Adjustability	Rotable and pivoted
Swivel angle	20°
Rotation angle	360°
stamp	UKCA
Material cover	Without cover
Circlip	Without circlip





Packing data	
Gross weight	0.45 kg
Length of packaging	100 mm
Packaging width	100 mm
Packaging height	135 mm
Disposal at end of life	This product must not be disposed of with household waste. You are obliged, to dispose of such electrical waste separately. By disposing of electrical waste and other old or defective electronics separately, you support recycling or other forms of re-use. In that way you help to take care and to avoid that harmful substances get into the environment.

Compatible LED-modules						
Article no.	Power	Beam angle	Colour temperature	Luminous flux	Input	Hight LED-Modul
12925003	3 W	38°	2.700 K	290 lm	350 mA	40 mm
12926003	3 W	38°	3.000 K	310 lm	350 mA	40 mm
12925004	3 W	38°	4.000 K	340 lm	350 mA	40 mm
12923383	6 W	38°	2.700 K	600 lm	350 mA	32 mm
12923603	6 W	60°	2.700 K	570 lm	350 mA	32 mm
12924383	6 W	38°	3.000 K	680 lm	350 mA	32 mm
12924603	6 W	60°	3.000 K	660 lm	350 mA	32 mm
12924384	6 W	38°	3.500 K	680 lm	350 mA	32 mm
12924604	6 W	60°	3.500 K	660 lm	350 mA	32 mm
12923384	6 W	38°	4.000 K	720 lm	350 mA	32 mm
12923604	6 W	60°	4.000 K	700 lm	350 mA	32 mm
12963383	6 W	38°	3.000 K - 1.800 K	460 lm	350 mA	32 mm
12963603	6 W	60°	3.000 K - 1.800 K	430 lm	350 mA	32 mm
12920183	6 W	18°	3.000 K	640 lm	350 mA	31 mm
12920243	6 W	24°	3.000 K	690 lm	350 mA	31 mm
12920003	6 W	38°	3.000 K	670 lm	350 mA	31 mm
12920603	6 W	60°	3.000 K	620 lm	350 mA	31 mm
12920184	6 W	18°	4.000 K	685 lm	350 mA	31 mm
12920244	6 W	24°	4.000 K	740 lm	350 mA	31 mm
12920004	6 W	38°	4.000 K	720 lm	350 mA	31 mm
12920604	6 W	60°	4.000 K	660 lm	350 mA	31 mm
12823003	8 W	60°	2.850 K	900 lm	24.00 V	50 mm
12843004	8 W	60°	2.000 K - 6.500 K	640 lm	24.00 V	50 mm
18438002	8 W	60°	RGB+WW	400 lm	24.00 V	50 mm

M1 Surface mounted housing square, recessed, with module bracket flush, pivoted

Article no. 45103180

Light.
For Generations.

Required accessories	
	LED reflector insert MR16, 3 W, 350 mA Leistung: 3 W Dimensions: 50 mm x 40 mm
	LED reflector insert MR16, 6 W, 350 mA Leistung: 6 W Dimensions: 50 mm x 32 mm
	LED reflector insert MR16, 6 W, dim2warm, 350 mA Leistung: 6 W Dimensions: 50 mm x 32 mm
	LED insert, MR16, 6 W, with lens optics, 350 mA Leistung: 6 W Dimensions: 50 mm x 31 mm