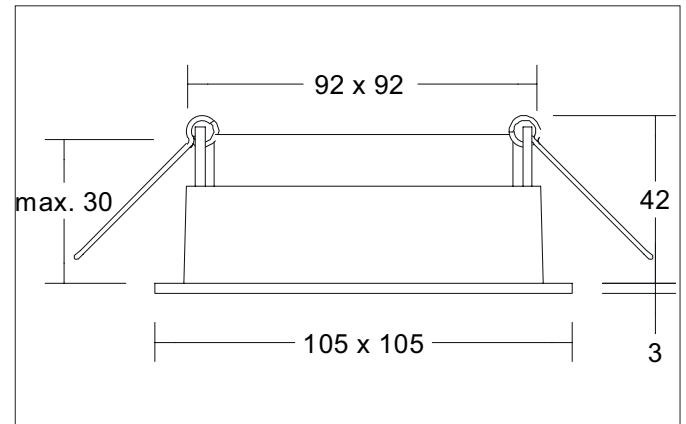


**M1 Recessed housing, square, with module holder, pivoted**  
Article no. 45005550

Light.  
For Generations.



**Tender**

Recessed housing, square, with module holder, pivoted, outside white structure / inside black structure, Square. In a compact design, for installation in tool-less rapid assembly systems. All Brumberg MR16 LED modules can be used for the installation unit M1 up to the maximum specified power. The installation depth of the luminaire depends on the LED module used. The LED module is not included in the scope of delivery of the installation unit. Lamp holder: Without fitting, Mounting method: Recessed mounting, Place of installation: Ceiling-mounted, Material: Aluminium, Degree of protection: according to DIN EN 60529 IP20, Protection class: (EN 61140) III, Power: 14 W, Amount of light sources / fittings: 1 Qty, Adjustability: Pivoted, without control gear, Control: Other.

**Product Benefits**

- Part of the modular M1 system for recessed and surface-mounted ceilings.
- Empty housing for accommodating Brumberg LED modules up to a maximum output of max. 12.5 W.
- Also available as a similar, rigid housing on the room side in IP44 version.
- Available in single color textured white, textured black or in combination textured white / textured black or textured black / textured white.
- 155 further housing versions plus approx. 30 different LED modules for these housing versions for all common control types.
- Multi-lamp versions also in the portfolio.

**M1 Recessed housing, square, with module holder, pivoted**

Article no. 45005550

Light.  
For Generations.

| Article data      |   |
|-------------------|---|
| Article no.       | 45005550  |
| GTIN              | 4251433930983   |
| Series name       | M1  |
| Short description | Recessed housing, square, with module holder, pivoted |
| Material          | Aluminium   |
| Colour            | White / Black   |
| Type of surface   | Structure   |
| Shape             | Square  |
| Built-in width    | 92 mm   |
| Built-in length   | 92 mm   |
| Length            | 105 mm  |
| Width             | 105 mm  |
| Height            | 3 mm  |
| Scope of delivery | Incl. module holder recessed, pivoted                 |
| Weight            | 0.193 kg  |

| Operating technology of the luminaire |                     |
|---------------------------------------|---------------------|
| Lamp                                  | For LED             |
| Lamp holder                           | Without fitting     |
| Protection class                      | III                 |
| Degree of protection                  | IP20                |
| Control                               | Depending on driver |
| Bulb change possible                  | Yes                 |

| Mounting technology    |   |
|------------------------|---|
| Mounting method        | Recessed mounting                         |
| Place of installation  | Ceiling-mounted                           |
| Adjustability          | Rotable and pivoted                       |
| Swivel angle           | 20°                                       |
| Rotation angle         | 360°                                      |
| Max. ceiling thickness | 35 mm                                     |
| Further references     | No cover with thermal insulation material |
| Material cover         | Without cover                             |
| Circlip                | Without circlip                           |

| Packing data            |   |
|-------------------------|---|
| Gross weight            | 0.235 kg  |
| Length of packaging     | 133 mm  |
| Packaging width         | 125 mm  |
| Packaging height        | 70 mm   |
| Disposal at end of life | This product must not be disposed of with household waste. You are obliged, to dispose of such electrical waste separately.<br>By disposing of electrical waste and other old or defective electronics separately, you support recycling or other forms of re-use. In that way you help to take care and to avoid that harmful substances get into the environment. |

**M1 Recessed housing, square, with module holder, pivoted**

Article no. 45005550

Light.  
For Generations.

| Compatible LED-modules |        |            |                    |               |         |                 |
|------------------------|--------|------------|--------------------|---------------|---------|-----------------|
| Article no.            | Power  | Beam angle | Colour temperature | Luminous flux | Input   | Hight LED-Modul |
| 12925003               | 3 W    | 38°        | 2.700 K            | 290 lm        | 350 mA  | 40 mm           |
| 12926003               | 3 W    | 38°        | 3.000 K            | 310 lm        | 350 mA  | 40 mm           |
| 12925004               | 3 W    | 38°        | 4.000 K            | 340 lm        | 350 mA  | 40 mm           |
| 12923383               | 6 W    | 38°        | 2.700 K            | 600 lm        | 350 mA  | 32 mm           |
| 12923603               | 6 W    | 60°        | 2.700 K            | 570 lm        | 350 mA  | 32 mm           |
| 12924383               | 6 W    | 38°        | 3.000 K            | 680 lm        | 350 mA  | 32 mm           |
| 12924603               | 6 W    | 60°        | 3.000 K            | 660 lm        | 350 mA  | 32 mm           |
| 12924384               | 6 W    | 38°        | 3.500 K            | 680 lm        | 350 mA  | 32 mm           |
| 12924604               | 6 W    | 60°        | 3.500 K            | 660 lm        | 350 mA  | 32 mm           |
| 12923384               | 6 W    | 38°        | 4.000 K            | 720 lm        | 350 mA  | 32 mm           |
| 12923604               | 6 W    | 60°        | 4.000 K            | 700 lm        | 350 mA  | 32 mm           |
| 12920183               | 6 W    | 18°        | 3.000 K            | 640 lm        | 350 mA  | 31 mm           |
| 12920243               | 6 W    | 24°        | 3.000 K            | 690 lm        | 350 mA  | 31 mm           |
| 12920003               | 6 W    | 38°        | 3.000 K            | 670 lm        | 350 mA  | 31 mm           |
| 12920603               | 6 W    | 60°        | 3.000 K            | 620 lm        | 350 mA  | 31 mm           |
| 12920184               | 6 W    | 18°        | 4.000 K            | 685 lm        | 350 mA  | 31 mm           |
| 12920244               | 6 W    | 24°        | 4.000 K            | 740 lm        | 350 mA  | 31 mm           |
| 12920004               | 6 W    | 38°        | 4.000 K            | 720 lm        | 350 mA  | 31 mm           |
| 12920604               | 6 W    | 60°        | 4.000 K            | 660 lm        | 350 mA  | 31 mm           |
| 12963383               | 6 W    | 38°        | 3.000 K - 1.800 K  | 460 lm        | 350 mA  | 32 mm           |
| 12963603               | 6 W    | 60°        | 3.000 K - 1.800 K  | 430 lm        | 350 mA  | 32 mm           |
| 12953003               | 12 W   | 38°        | 2.700 K            | 1,120 lm      | 350 mA  | 70 mm           |
| 12954003               | 12 W   | 38°        | 3.000 K            | 1,210 lm      | 350 mA  | 70 mm           |
| 12954004               | 12 W   | 38°        | 3.500 K            | 1,240 lm      | 350 mA  | 70 mm           |
| 12953004               | 12 W   | 38°        | 4.000 K            | 1,250 lm      | 350 mA  | 70 mm           |
| 12965003               | 12 W   | 38°        | 3.000 K - 1.800 K  | 930 lm        | 350 mA  | 70 mm           |
| 12983003               | 12.5 W | 38°        | 3.000 K            | 920 lm        | 350 mA  | 95 mm           |
| 12823003               | 8 W    | 60°        | 2.850 K            | 900 lm        | 24.00 V | 50 mm           |
| 12843004               | 8 W    | 60°        | 2.000 K - 6.500 K  | 640 lm        | 24.00 V | 50 mm           |
| 18438002               | 8 W    | 60°        | RGB+WW             | 400 lm        | 24.00 V | 50 mm           |