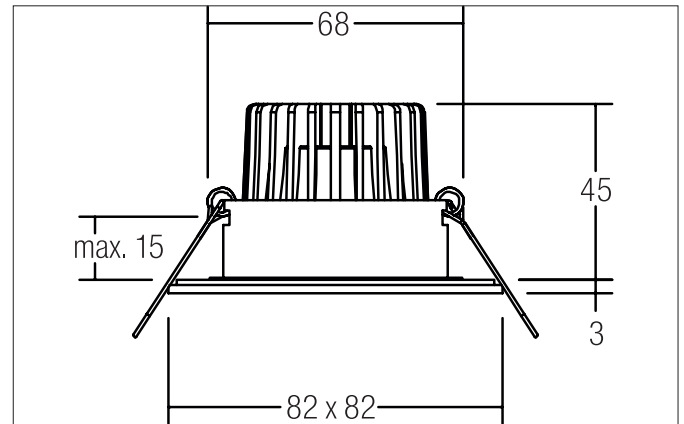


**ITANSA-S BB16 LED recessed downlight set, V4A, IP54, DALI dimmable incl. connection box**

Article no. 41476423

Light.  
For Generations.**Tender**

LED recessed downlight set, V4A, IP54, DALI dimmable incl. connection box, Square. Toolless ceiling installation by installation springs. Ceiling cut-out Ø 68 mm, Installation depth 45 mm, Length 82 mm, Width 82 mm, Weight 0,437 kg, Reflector silver with rotationssymmetrical, deep, wide distributed light intensity. optimal light distribution due to a glass transparent cover. Luminous flux 680 lm, Power 1 x 6 W, Light colour warm white, Correlated color temperature (CCT) 3.000 K, Colour rendering index CRI > 80, Rated life time L80/B20 at 25 °C: 50.000 h, Housing material: Stainless steel / Aluminium / Glass, Colour: Stainless steel, Permissible ambient temperature (ta): -20 °C - +25 °C, Protection class (EN 61140): II, Degree of protection (DIN EN 60529): IP54, .With electronic driver, DALI-2 dimmable.

| Article data       |   |
|--------------------|---|
| Article no.        | 41476423  |
| GTIN               | 4251433935957   |
| Series name        | ITANSA-S BB16   |
| Short description  | LED recessed downlight set, V4A, IP54, DALI dimmable incl. connection box |
| Material           | Stainless steel / Aluminium / Glass                                       |
| Colour             | Stainless steel   |
| Type of surface    | Matt  |
| Shape              | Square  |
| Built-in diameter  | 68 mm   |
| Installation depth | 45 mm   |
| Length             | 82 mm   |
| Width              | 82 mm   |
| Height             | 3 mm  |
| Scope of delivery  | Incl. 5-pole connection box   |
| Weight             | 0.437 kg  |

**ITANSA-S BB16 LED recessed downlight set, V4A, IP54, DALI dimmable incl. connection box**

Article no. 41476423

Light.  
For Generations.

| Lighting technology          |            |
|------------------------------|------------|
| Colour temperature           | 3.000 K    |
| Light colour                 | White      |
| Light output                 | Direct     |
| Luminous flux                | 680 lm     |
| System efficiency            | 113 lm/W   |
| Colour rendering             | CRI > 80   |
| Reflector                    | High-gloss |
| Reflektorfarbe               | silver     |
| Beam angle                   | 38°        |
| Light sharing                | Symmetric  |
| Adjustable color temperature | No         |

| Operating technology of the luminaire |           |
|---------------------------------------|-----------|
| Lamp holder                           | Plug&Play |
| Power                                 | 6 W       |
| Voltage type                          | DC        |
| Current                               | 350 mA    |
| Lamp                                  | LED       |
| Protection class                      | III       |
| Degree of protection                  | IP20      |

| Operating technology of driver |        |
|--------------------------------|--------|
| Length                         | 130 mm |
| Width                          | 42 mm  |
| Height                         | 22 mm  |
| AC nominal voltage min         | 220 V  |
| AC nominal voltage max         | 240 V  |
| Control                        | DALI-2 |
| Starting current               | 1A     |
| Power min                      | 2.8 W  |
| Power                          | 7 W    |
| Current                        | 350 mA |
| Degree of protection           | IP20   |
| Protection class               | II     |
| Flickerfrei                    | Yes    |

| Mounting technology         |   |
|-----------------------------|---|
| Mounting method             | Recessed mounting                             |
| Place of installation       | Ceiling-mounted                               |
| Adjustability               | Not adjustable                                |
| Max. ceiling thickness      | 15 mm   |
| Further references          | V4A No cover with thermal insulation material |
| Material cover              | Glass transparent                             |
| Suitable for through-wiring | Yes   |

| Packing data            |   |
|-------------------------|---|
| Gross weight            | 0.51 kg   |
| Length of packaging     | 140 mm  |
| Packaging width         | 110 mm  |
| Packaging height        | 120 mm  |
| Disposal at end of life | This product must not be disposed of with household waste. You are obliged, to dispose of such electrical waste separately.<br>By disposing of electrical waste and other old or defective electronics separately, you support recycling or other forms of re-use. In that way you help to take care and to avoid that harmful substances get into the environment. |