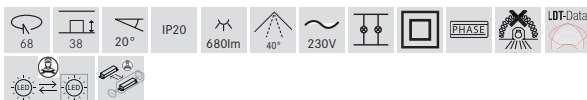
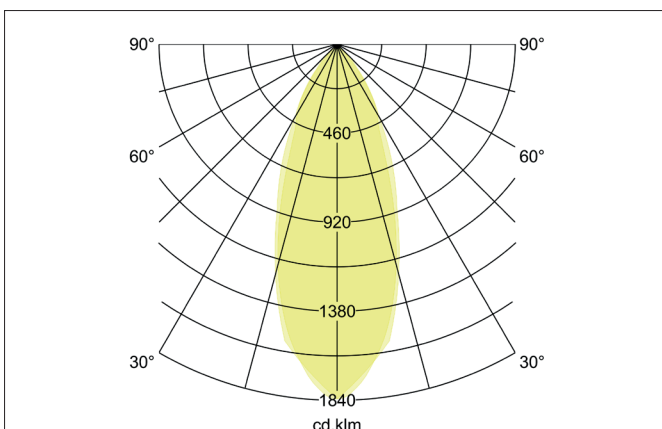
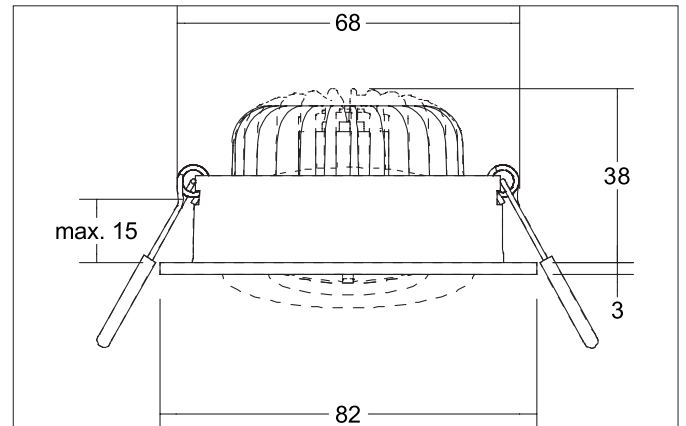




BB33 LED-Einbaustrahlerset, Phasenabschnitt dimmbar (Rundkonverter)

Article no. 40377183



Tender
Round LED recessed spotlight set, trailing edge dimmable (round converter), tool-free ceiling installation using installation springs. Ceiling cut-out Ø 68 mm, installation depth 38 mm, outer diameter 82 mm, weight 0.209 kg, silver reflector with rotationally symmetrical deep-wide beam light distribution. Cover PC (polycarbonate) transparent, rated luminous flux 680 lm, rated wattage 1 x 7 W, light color warm white, most similar color temperature (CCT) 3,000 K, general color rendering index CRI > 80, service life L70/B50 at 25 °C: 30,000 h, housing material: aluminum / polycarbonate, color: textured black, permissible ambient temperature (ta): -20 °C - +25 °C, protection class (EN 61140): II, degree of protection (DIN EN 60529): IP20. With electronic control gear, trailing edge dimmable.

Article data	
Article no.	40377183
GTIN	4251433947936
Series name	BB33
Short description	LED-Einbaustrahlerset, Phasenabschnitt dimmbar (Rundkonverter)
Material	Aluminium / Polycarbonate
Colour	Black
Type of surface	Structure
Shape	Round
Outer diameter	82 mm
Built-in diameter	68 mm
Installation depth	38 mm
Hight	3 mm
Weight	0.209 kg
Conformance	CE, UKCA


BB33 LED-Einbaustrahlerset, Phasenabschnitt dimmbar (Rundkonverter)

Article no. 40377183

Lighting technology	
Colour temperature	3.000 K
Light colour	White
Light output	Direct
Luminous flux	680 lm
System efficiency	97 lm/W
Colour rendering	CRI > 80
Reflector	Faceted
Reflector colour	silver
Beam angle	40°
Light sharing	Symmetric
Adjustable color temperature	No

Operating technology of the luminaire	
System output	7 W
Voltage type	AC
AC nominal voltage max	230 V
Frequency max	50 Hz
Lamp	LED
Protection class	II
Degree of protection	IP20
Dimmable	Yes
Control	Trailing-edge phase
Bulb change possible	The light source of this luminaire may only be replaced by the manufacturer or a service technician commissioned by him or a similarly qualified person.
Rated life time L70/B50 at 25 °C	30,000 h
Energy efficiency class	nicht erforderlich

Operating technology of the luminaire	
Power	6 W
Voltage type	DC
Current	350 mA
Lamp	LED
Protection class	III
Degree of protection	IP20
Rated life time L70/B50 at 25 °C	30,000 h

Operating technology of driver	
Article No. of used driver	17652000
Hight	24 mm
AC nominal voltage min	200 V
AC nominal voltage max	264 V
Frequency max	60 Hz
Dimmable	Yes
Control	Trailing-edge phase
Starting current	3 A, 100 µs
Power min	4.9 W
Power	7 W
Output current	350 mA
Degree of protection	IP20
Protection class	II
Flicker-free	Yes


BB33 LED-Einbaustrahlerset, Phasenabschnitt dimmbar (Rundkonverter)

Article no. 40377183

Mounting technology	
Mounting method	Recessed mounting
Place of installation	Ceiling-mounted
Adjustability	Pivoted
Swivel angle	20°
Max. ceiling thickness	15 mm
Further references	No cover with thermal insulation material
Material cover	Polycarbonat clear
Suitable for through-wiring	Yes, with optional accessories

Packing data	
Gross weight	0.242 kg
Length of packaging	115 mm
Packaging width	86 mm
Packaging height	63 mm
Disposal at end of life	This product must not be disposed of with household waste. You are obliged, to dispose of such electrical waste separately. By disposing of electrical waste and other old or defective electronics separately, you support recycling or other forms of re-use. In that way you help to take care and to avoid that harmful substances get into the environment.

Optional accessories	
Article no.: 81201180 Reducing ring D 110 mm, for luminaire cut-out size 68 mm	https://www.brumberg.com/fileadmin/products/Datenblatt_81201180_2021_DE.pdf
Article no.: 81202180 Reducing ring D 130 mm, for luminaire cut-out size 68 mm	https://www.brumberg.com/fileadmin/products/Datenblatt_81202180_2021_DE.pdf
Article no.: 81203180 Reducing ring D 145 mm, for luminaire cut-out size 68 mm	https://www.brumberg.com/fileadmin/products/Datenblatt_81203180_2021_DE.pdf
Article no.: 83330000 Connection box 230 V AC, 3-pole	
Dimensions: 80 mm x 41 mm x 34 mm	https://www.brumberg.com/fileadmin/products/Datenblatt_83330000_2021_DE.pdf