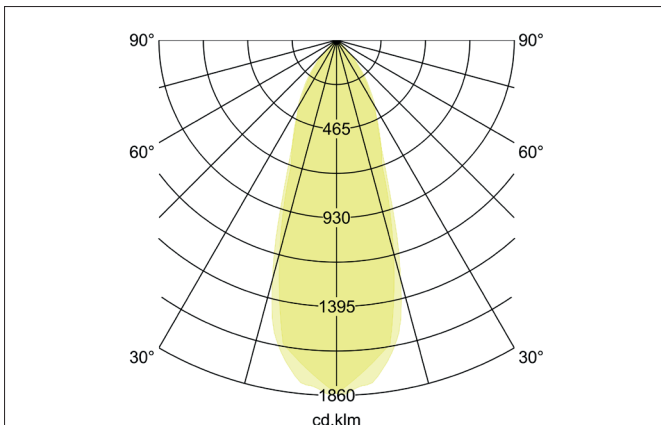
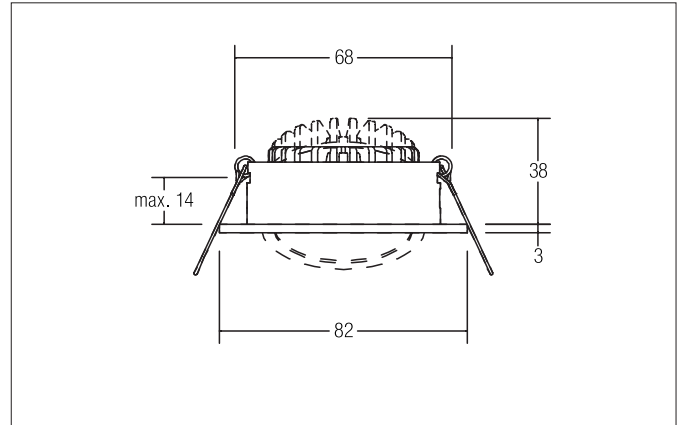


**LAKIL-R LED recessed spot set, dim2warm, trailing-edge phase dimmable**

Article no. 3946 1073

Light.  
For Generations.**Tender**

LED recessed spot set, dim2warm, trailing-edge phase dimmable, Round. Toolless ceiling installation by installation springs. Ceiling cut-out Ø 68 mm, Installation depth 38 mm, Outer diameter 82 mm, Weight 0,189 kg, Reflector silver with rotationssymmetrical, deep, wide distributed light intensity. optimal light distribution due to a plastic, transparent cover. Luminous flux 460 lm, Power 1 x 6 W, Light colour warm white to warm white, Correlated color temperature (CCT) 3.000 K - 1.800 K, Colour rendering index CRI > 90, Rated life time L80/B20 at 25 °C: 50.000 h, Housing material: Aluminium / Polycarbonate, Colour: White, Permissible ambient temperature (ta): -20 °C - +25 °C, Protection class (EN 61140): II, Degree of protection (DIN EN 60529): IP20, .With electronic driver, Trailing-edge phase dimmable.

**Product Benefits**

- Round recessed spotlight made of solid aluminum with polycarbonate cover.
- Easy and tool-free mounting.
- CRI > 80.
- Low mounting depth 38 mm, diameter 82 mm, Ceiling cut-out 68 mm.
- Ceiling thickness maximum 14 mm.
- Version dim2warm (when the luminaire is dimmed, the color temperature is reduced from 3,000 K to a minimum of 1,800 K).
- Dimmable (trailing-edge phase dimmer) set.
- Also available as a single luminaire for currents of 350 mA.
- Alternatively available in square design.

**LAKIL-R LED recessed spot set, dim2warm, trailing-edge phase dimmable**

Article no. 39461073

Light.  
For Generations.

| Article data       |   |
|--------------------|---|
| Article no.        | 39461073  |
| GTIN               | 4251433919520   |
| Series name        | LAKIL-R   |
| Short description  | LED recessed spot set, dim2warm, trailing-edge phase dimmable |
| Material           | Aluminium / Polycarbonate                                     |
| Colour             | White   |
| Type of surface    | Matt  |
| Shape              | Round   |
| Outer diameter     | 82 mm   |
| Built-in diameter  | 68 mm   |
| Installation depth | 38 mm   |
| Hight              | 3 mm  |
| Weight             | 0.189 kg  |
| stamp              | UKCA  |

| Lighting technology          |                   |
|------------------------------|-------------------|
| Colour temperature           | 3.000 K - 1.800 K |
| Light colour                 | White             |
| Light output                 | Direct            |
| Luminous flux                | 460 lm            |
| System efficiency            | 77 lm/W           |
| Colour rendering             | CRI > 90          |
| Reflector                    | High-gloss        |
| Reflector colour             | silver            |
| Beam angle                   | 38°               |
| Light sharing                | Symmetric         |
| Adjustable color temperature | Infinite control  |

| Operating technology of the luminaire |  |
|---------------------------------------|--|
| Hight                                 | 3 mm   |
| Power                                 | 6 W  |
| Voltage type                          | DC   |
| Current                               | 350 mA   |
| Lamp                                  | LED  |
| Protection class                      | III  |
| Degree of protection                  | IP20   |
| Bulb change possible                  | The light source of this luminaire may only be replaced by the manufacturer or a service technician commissioned by him or a similarly qualified person. |

| Operating technology of driver |                     |
|--------------------------------|---------------------|
| Article No. of used driver     | 17663000            |
| Length                         | 110 mm              |
| Width                          | 50 mm               |
| Hight                          | 19 mm               |
| AC nominal voltage min         | 198 V               |
| AC nominal voltage max         | 264 V               |
| Frequency max                  | 60 Hz               |
| Dimmable                       | Yes                 |
| Control                        | Trailing-edge phase |
| Starting current               | 1A (15,2 µs)        |
| Power min                      | 2.8 W               |
| Power                          | 7 W                 |
| Output current                 | 350 mA              |
| Degree of protection           | IP20                |
| Protection class               | II                  |
| Flicker-free                   | Yes                 |

**LAKIL-R LED recessed spot set, dim2warm, trailing-edge phase dimmable**

Article no. 3946 1073

Light.  
For Generations.

| Mounting technology         |   |
|-----------------------------|---|
| Mounting method             | Recessed mounting                         |
| Place of installation       | Ceiling-mounted                           |
| Adjustability               | Pivoted                                   |
| Swivel angle                | 30°                                       |
| Max. ceiling thickness      | 14 mm                                     |
| Further references          | No cover with thermal insulation material |
| Material cover              | Plastic, transparent                      |
| Suitable for through-wiring | Yes, with optional accessories            |

| Packing data            |   |
|-------------------------|---|
| Gross weight            | 0.254 kg  |
| Length of packaging     | 95 mm   |
| Packaging width         | 75 mm   |
| Packaging height        | 95 mm   |
| Disposal at end of life | This product must not be disposed of with household waste. You are obliged, to dispose of such electrical waste separately.<br>By disposing of electrical waste and other old or defective electronics separately, you support recycling or other forms of re-use. In that way you help to take care and to avoid that harmful substances get into the environment. |