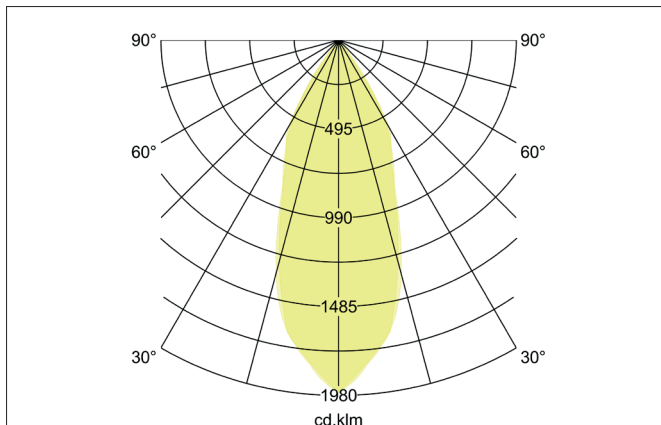
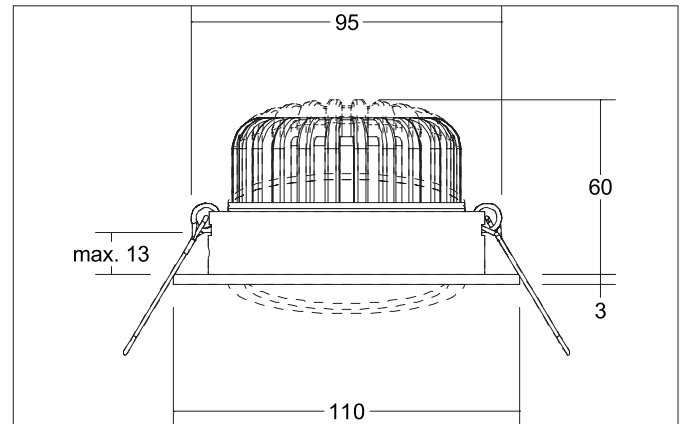


KERBY-R LED recessed spot set, trailing-edge phase dimmable

Article no. 39395084

Light.
For Generations.**Tender**

LED recessed spot set, trailing-edge phase dimmable, Round. Toolless ceiling installation by installation springs. Ceiling cut-out Ø 95 mm, Installation depth 60 mm, Outer diameter 110 mm, Weight 0,230 kg. Reflector silver with rotationssymmetrical, deep, wide distributed light intensity. optimal light distribution due to a glass transparent cover. Luminous flux 1.280 lm, Power 1 x 12 W, Light colour neutral white, Correlated color temprature (CCT) 4.000 K, Colour rendering index CRI > 80, Rated life time L80/B20 at 25 °C: 50.000 h, Housing material: Aluminium / Glass, Colour: Black, Permissible ambient temperature (ta): -20 °C - +25 °C, Protection class (EN 61140): II, Degree of protection (DIN EN 60529): IP20, .With electronic driver, Trailing-edge phase dimmable.

Product Benefits

- Round recessed spotlight made of solid aluminum with glass cover.
- Easy and tool-free mounting.
- CRI > 80.
- Low installation depth 60 mm, diameter 110 mm, Ceiling cut-out 95 mm.
- Ceiling thickness maximum 13 mm.
- Dimmable as a set (trailing-edge phase dimmer).
- Alternatively as single luminaire for current 350 mA, in version dim2warm and in square design.

KERBY-R LED recessed spot set, trailing-edge phase dimmable

Article no. 39395084

Light.
For Generations.

Article data	
Article no.	39395084
GTIN	4251433947431
Series name	KERBY-R
Short description	LED recessed spot set, trailing-edge phase dimmable
Material	Aluminium / Glass
Colour	Black
Type of surface	Matt
Shape	Round
Outer diameter	110 mm
Built-in diameter	95 mm
Installation depth	60 mm
Hight	3 mm
Weight	0.230 kg
stamp	UKCA

Lighting technology	
Colour temperature	4.000 K
Light colour	White
Light output	Direct
Luminous flux	1,280 lm
System efficiency	107 lm/W
Colour rendering	CRI > 80
Reflector	High-gloss
Reflector colour	silver
Beam angle	38°
Light sharing	Symmetric
Adjustable color temperature	No

Operating technology of the luminaire	
Hight	3 mm
Power	12 W
Voltage type	DC
Current	350 mA
Lamp	LED
Protection class	III
Degree of protection	IP20
Bulb change possible	The light source of this luminaire may only be replaced by the manufacturer or a service technician commissioned by him or a similarly qualified person.

Operating technology of driver	
Article No. of used driver	17643000
Length	110 mm
Width	52 mm
Hight	22 mm
AC nominal voltage min	198 V
AC nominal voltage max	264 V
Frequency max	60 Hz
Dimmable	Yes
Control	Trailing-edge phase
Starting current	2A 50µs
Power min	8.8 W
Power	18 W
Output current	350 mA
Degree of protection	IP20
Protection class	II

KERBY-R LED recessed spot set, trailing-edge phase dimmable

Article no. 39395084

Light.
For Generations.

Mounting technology	
Mounting method	Recessed mounting
Place of installation	Ceiling-mounted
Adjustability	Pivoted
Swivel angle	15°
Max. ceiling thickness	13 mm
Further references	No mounting box No cover with thermal insulation material
Material cover	Glass transparent
Suitable for through-wiring	Yes, with optional accessories

Packing data	
Gross weight	0.28 kg
Length of packaging	140 mm
Packaging width	110 mm
Packaging height	120 mm
Disposal at end of life	This product must not be disposed of with household waste. You are obliged, to dispose of such electrical waste separately. By disposing of electrical waste and other old or defective electronics separately, you support recycling or other forms of re-use. In that way you help to take care and to avoid that harmful substances get into the environment.