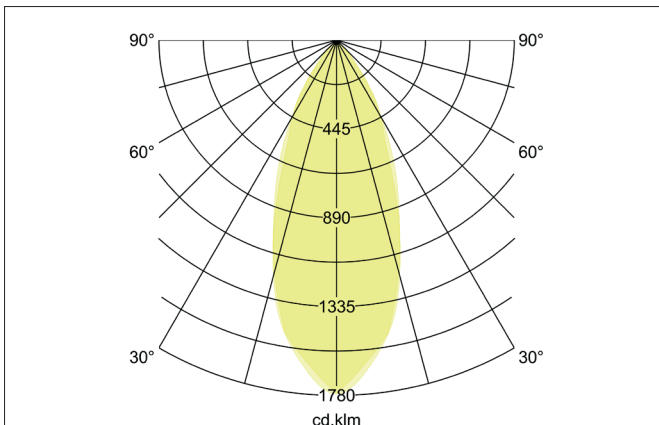
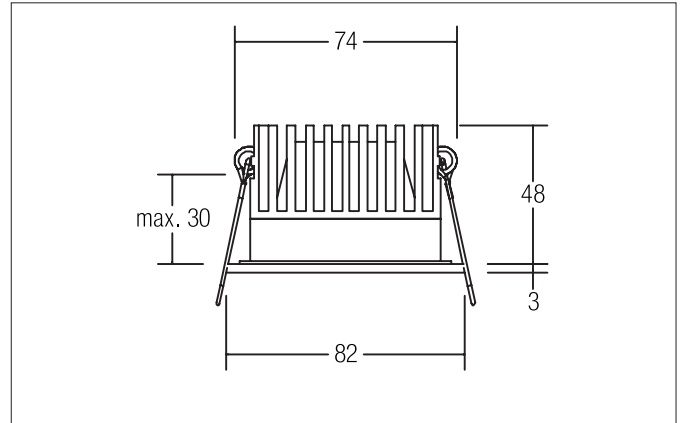


CALLIDA LED recessed downlight set, dim2warm, trailing-edge phase dimmable

Article no. 39116073

Light.
For Generations.**Tender**

LED recessed downlight set, dim2warm, trailing-edge phase dimmable, Round. Toolless ceiling installation by installation springs. Ceiling cut-out Ø 74 mm, Installation depth 48 mm, Outer diameter 82 mm, Weight 0,297 kg, Reflector silver with rotationssymmetrical, deep, wide distributed light intensity. optimal light distribution due to a plastic, transparent cover. Luminous flux 830 lm, Power 1 x 12 W, Light colour warm white to warm white, Correlated color temprature (CCT) 3.000 K - 1.800 K, Colour rendering index CRI > 90, Rated life time L70/B50 at 25 °C: 50.000 h, Housing material: Aluminium / Polycarbonate, Colour: White structure, Permissible ambient temperature (ta): -20 °C - +25 °C, Protection class (EN 61140): II, Degree of protection (DIN EN 60529): IP20, .With electronic driver, Trailing-edge phase dimmable.

Product Benefits

- Recessed downlight in round design made of massive aluminum.
- Ceiling cutout 74 mm, outer diameter 82 mm, mounting depth 48 mm, luminous flux 930 lm, IP20.
- Recessed light emission for improved glare reduction.
- Complete set with dimmable converter (phase section).
- If the luminaire is dimmed, the colour temperature is reduced (dim2warm, 3000 K - 1800 K).

CALLIDA LED recessed downlight set, dim2warm, trailing-edge phase dimmable

Article no. 39116073

Light.
For Generations.

Article data	
Article no.	39116073
GTIN	4251433919568
Series name	CALLIDA
Short description	LED recessed downlight set, dim2warm, trailing-edge phase dimmable
Material	Aluminium / Polycarbonate
Colour	White
Type of surface	Structure
Shape	Round
Outer diameter	82 mm
Built-in diameter	74 mm
Installation depth	48 mm
Hight	3 mm
Weight	0.297 kg

Lighting technology	
Colour temperature	3.000 K - 1.800 K
Light colour	White
Light output	Direct
Luminous flux	830 lm
System efficiency	69 lm/W
Colour rendering	CRI > 90
Reflector	High-gloss
Reflector colour	silver
Beam angle	18°
Light sharing	Symmetric
Adjustable color temperature	Infinite control

Operating technology of the luminaire	
Hight	3 mm
Lamp holder	Plug&Play
Power	12 W
Voltage type	DC
Current	350 mA
Lamp	LED
Protection class	III
Degree of protection	IP20
Rated life time L70/B50 at 25 °C	50,000 h
Bulb change possible	The light source of this luminaire may only be replaced by the manufacturer or a service technician commissioned by him or a similarly qualified person.

Operating technology of driver	
Article No. of used driver	17664000
Length	125 mm
Width	51 mm
Hight	20 mm
AC nominal voltage min	198 V
AC nominal voltage max	264 V
Frequency max	60 Hz
Dimmable	Yes
Control	Trailing-edge phase
Starting current	
Power min	10.2 W
Power	14 W
Output current	350 mA
Degree of protection	IP20
Protection class	II

CALLIDA LED recessed downlight set, dim2warm, trailing-edge phase dimmable

Article no. 39116073

Light.
For Generations.

Mounting technology	
Mounting method	Recessed mounting
Place of installation	Ceiling-mounted
Adjustability	Not adjustable
Max. ceiling thickness	30 mm
stamp	UKCA
Further references	No cover with thermal insulation material
Material cover	Plastic, transparent
Suitable for through-wiring	Yes, with optional accessories

Packing data	
Gross weight	0.342 kg
Length of packaging	100 mm
Packaging width	100 mm
Packaging height	100 mm
Disposal at end of life	This product must not be disposed of with household waste. You are obliged, to dispose of such electrical waste separately. By disposing of electrical waste and other old or defective electronics separately, you support recycling or other forms of re-use. In that way you help to take care and to avoid that harmful substances get into the environment.