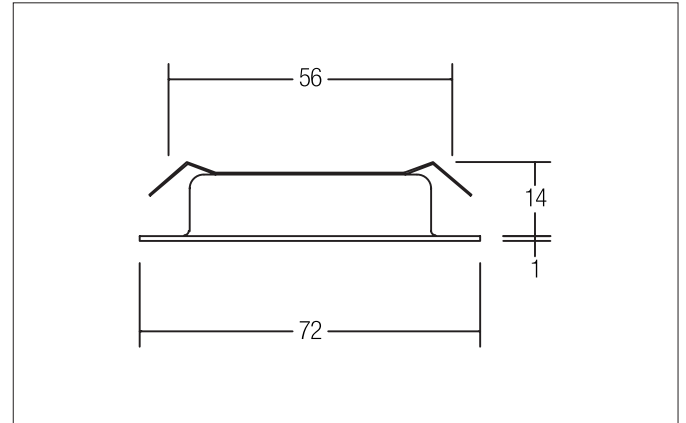
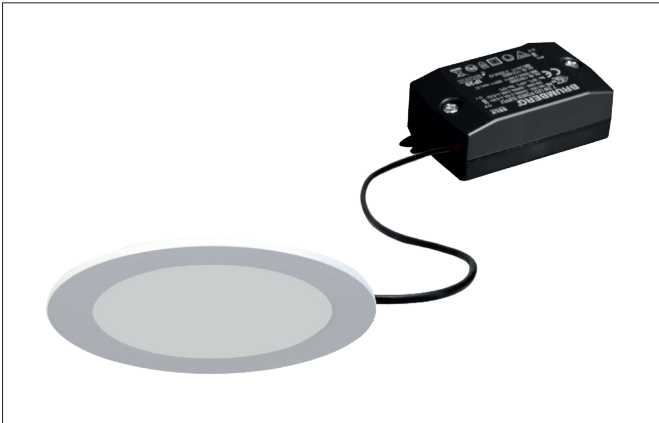


**BB17 LED recessed downlight set, on/off switchable**

Article no. 38370073

Light.  
For Generations.**Tender**

LED recessed downlight set, on/off switchable, Round. Toolless ceiling installation by leaf spring. Ceiling cut-out Ø 56 mm, Installation depth 14 mm, Outer diameter 72 mm, Weight 0,082 kg, with rotationssymmetrical, deep, wide distributed light intensity. optimal light distribution due to a plastic, opal cover. Luminous flux 260 lm, Power 1 x 3 W, Light colour warm white, Correlated color temperature (CCT) 3.000 K, Colour rendering index CRI > 80, Rated life time L80/B20 at 25 °C: 30.000 h, Housing material: Steel / Plastic, Colour: White, Permissible ambient temperature (ta): -20 °C - +25 °C, Protection class (EN 61140): II, Degree of protection (DIN EN 60529): IP20, .With electronic driver, on/off switchable.

Article data	
Article no.	38370073
GTIN	4251433917113
Series name	BB17
Short description	LED recessed downlight set, on/off switchable
Material	Steel / Plastic
Colour	White
Type of surface	Matt
Shape	Round
Outer diameter	72 mm
Built-in diameter	56 mm
Installation depth	14 mm
Hight	1 mm
Scope of delivery	Incl. 900 mm connecting cable between the converter and the lamp
Weight	0.082 kg

**BB17 LED recessed downlight set, on/off switchable**

Article no. 38370073

Light.  
For Generations.

Lighting technology	
Colour temperature	3.000 K
Light colour	White
Light output	Direct
Luminous flux	260 lm
System efficiency	87 lm/W
Colour rendering	CRI > 80
Reflector	High-gloss
Beam angle	60°
Light sharing	Symmetric
Adjustable color temperature	No

Operating technology of the luminaire	
Lamp	LED not changeable

Operating technology of driver	
Length	68 mm
Width	35 mm
Hight	21 mm
AC nominal voltage min	220 V
AC nominal voltage max	240 V
Frequenz max.	50 Hz
Dimmable	No
Control	on/off
Starting current	10 A (max.10ms)
Power min	1 W
Power	7.2 W
Current	350 mA
Degree of protection	IP20
Protection class	II
Flickerfrei	Yes

Mounting technology	
Mounting method	Recessed mounting
Place of installation	Ceiling-mounted
Adjustability	Not adjustable
stamp	MM
Further references	No cover with thermal insulation material
Material cover	Plastic, opal

Packing data	
Gross weight	0.108 kg
Length of packaging	85 mm
Packaging width	43 mm
Packaging hight	84 mm
Disposal at end of life	This product must not be disposed of with household waste. You are obliged, to dispose of such electrical waste separately. By disposing of electrical waste and other old or defective electronics separately, you support recycling or other forms of re-use. In that way you help to take care and to avoid that harmful substances get into the environment.