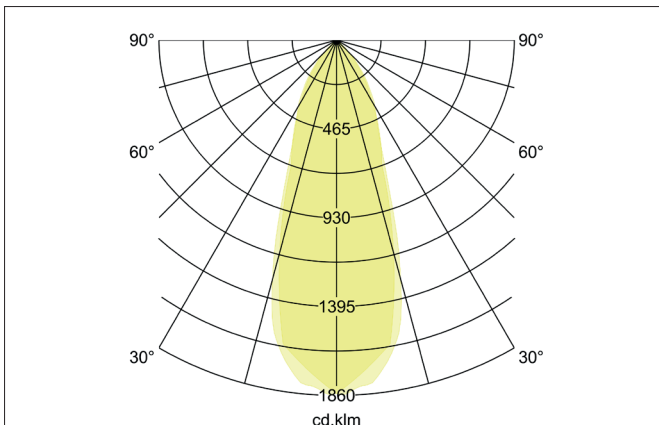
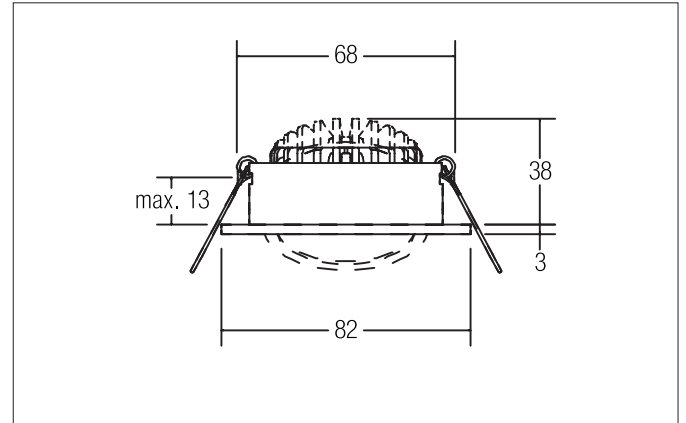
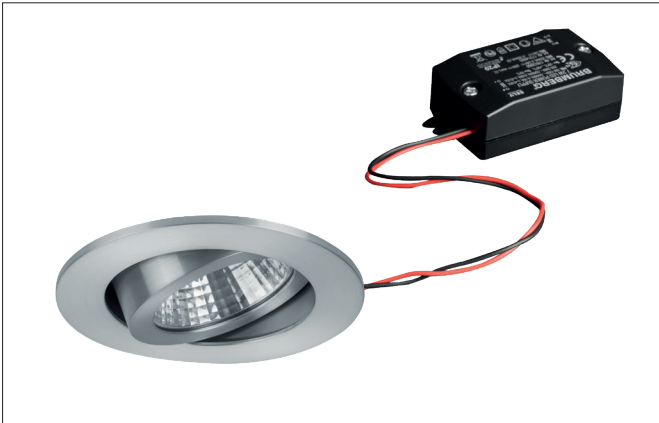


**LED recessed spot set, on/off switchable**

Article no. 3836 1254

Light.  
For Generations.**Tender**

LED recessed spot set, on/off, alu, Round. In a compact design, for installation in tool-less rapid assembly systems. Set including a converter for 230-V mains voltage, on/off switchable, dimensions of converter: L 68 x W 35 x H 21 mm Mounting method: Recessed mounting, Place of installation: Ceiling-mounted, Material: Aluminium / Polycarbonate, Degree of protection: according to DIN EN 60529 IP20, Protection class: (EN 61140) II, Voltage: 230V AC 50Hz, Power: 7W, Amount of light sources / fittings: 1.0 Qty, Luminous flux: 770lm, Colour temperature: 4.000 K, Light colour : White, Beam angle: 38°, Adjustability: Pivoted, With control gear: Yes, Control: on/off.

Article data	
Article no.	3836 1254
GTIN	425 1433928 126
Short description	LED recessed spot set, on/off switchable
Material	Aluminium / Polycarbonate
Colour	Alu
Type of surface	Matt
Shape	Round
Outer diameter	82 mm
Built-in diameter	68 mm
Installation depth	38 mm
Height	3 mm
weight	0.149 kg

**LED recessed spot set, on/off switchable**

Article no. 3836 1254

Light.  
For Generations.

Lighting technology	
Colour temperature	4000 K
Light colour	White
Light output	Direct
Luminous flux	770 lm
System efficiency	110 lm/W
Colour rendering	CRI > 80
Reflector	High-gloss
Beam angle	38°
Light sharing	Symmetric

Operating technology of the luminaires	
System output	7 W
Voltage type	AC
AC nominal voltage max	230 V
Frequenz max.	50 Hz
Lamp	LED
Protection class	II
Degree of protection	IP20
Control	on/off
Bulb change possible	Yes
Rated life time L70/B50 at 25 °C	50000 h

Operating technology of driver	
AC nominal voltage max	230 V
Frequenz max.	50 Hz
Current	350 mA
Protection class	II
Degree of protection	IP20
Starting current	10 A (max.10ms)
Power min	1 W
Power	7.2 W
version	Plug&Play

Mounting technology	
Mounting method	Recessed mounting
Place of installation	Ceiling-mounted
Adjustability	Pivoted
Swivel angle	30°
Max. ceiling thickness	13 mm
stamp	MM
Further references	No cover with thermal insulation material
Material cover	Plastic, transparent

Packing data	
Gross weight	0.187 kg
Length of packaging	95 mm
Packaging width	75 mm
Packaging height	95 mm
Disposal at end of life	This product must not be disposed of with household waste. You are obliged, to dispose of such electrical waste separately. By disposing of electrical waste and other old or defective electronics separately, you support recycling or other forms of re-use. In that way you help to take care and to avoid that harmful substances get into the environment.