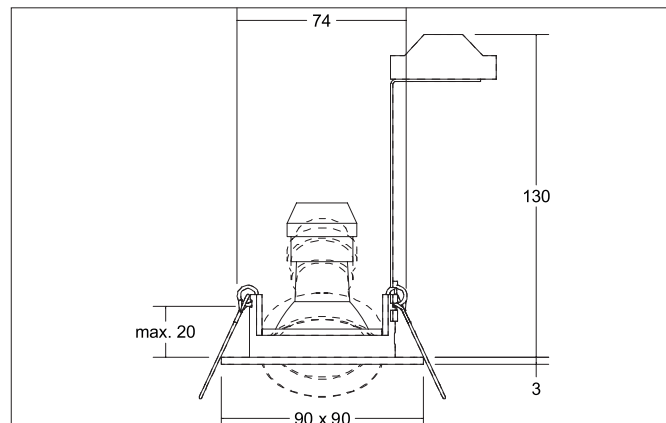


KALINDA-S Recessed spot, GU10

Article no. 36455150

Light.
For Generations.**Tender**

Recessed spot, GU10, nickel satin, Square. In a compact design, for installation in tool-less rapid assembly systems. Including bracket with GU10 socket for standard-compliant strain relief. Lamp holder: GU10, Mounting method: Recessed mounting, Place of installation: Ceiling-mounted, Material: Aluminium, Degree of protection: according to DIN EN 60529 IP20, Protection class: (EN 61140) II, Voltage: 230 V, Power: 50 W, Amount of light sources / fittings: 1 Qty, Adjustability: Pivoted, without control gear, Control: Other.

Product Benefits

- Recessed spotlight in square design made of solid aluminium for LED retrofit lamps with GU10 base.
- Incl. bracket for standard-compliant strain relief.
- Ceiling cut-out 74 mm, length 90 mm, width 90 mm, installation depth 130 mm, IP20.
- Swivel range 40°.
- Without visible snap ring.
- Classic, formally restrained design.
- Also available in the same look as a GX5.3 version, as a switchable and dimmable set (phase cut-off) set (trailing edge).

KALINDA-S Recessed spot, GU10

Article no. 36455150

Light.
For Generations.

Article data	
Article no.	36455150
GTIN	4251433949688
Series name	KALINDA-S
Short description	Recessed spot, GU10
Material	Aluminium
Colour	Nickel
Type of surface	Matt
Shape	Square
Outer diameter	90 mm
Built-in diameter	74 mm
Installation depth	130 mm
Hight	3 mm
Weight	0.127 kg

Lighting technology	
Light output	Direct
Light sharing	Symmetric
Adjustable color temperature	No

Operating technology of the luminaire	
System output	50 W
Voltage type	AC
AC nominal voltage max	230 V
Frequenz max.	50 Hz
Lamp	For LED-retrofill lamp
Lamp holder	GU10
Protection class	II
Degree of protection	IP20
Control	Other
Bulb change possible	Yes

Mounting technology	
Mounting method	Recessed mounting
Place of installation	Ceiling-mounted
Adjustability	Pivoted
Swivel angle	40°
Max. ceiling thickness	20 mm
Further references	No cover with thermal insulation material
Material cover	Without cover
Circlip	Without circlip

Packing data	
Gross weight	0.174 kg
Length of packaging	200 mm
Packaging width	150 mm
Packaging hight	150 mm
Disposal at end of life	This product must not be disposed of with household waste. You are obliged, to dispose of such electrical waste separately. By disposing of electrical waste and other old or defective electronics separately, you support recycling or other forms of re-use. In that way you help to take care and to avoid that harmful substances get into the environment.