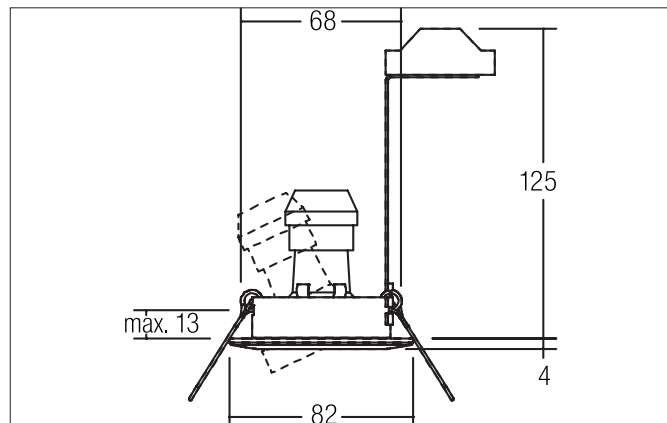


CARYL Recessed spot, GU10

Article no. 36303030

Light.
For Generations.**Tender**

Recessed spot, GU10, chrome satin, Round. In a compact design, for installation in tool-less rapid assembly systems. Including bracket with GU10 socket for standard-compliant strain relief. Lamp holder: GU10, Mounting method: Recessed mounting, Place of installation: Ceiling-mounted, Material: Aluminium, Degree of protection: according to DIN EN 60529 IP20, Protection class: (EN 61140) II, Voltage: 230V AC 50Hz, Power: 50 W, Amount of light sources / fittings: 1 Qty, Adjustability: Pivoted, without control gear, Control: Other.

Product Benefits

- Recessed spotlight in round aluminum design for LED retrofit lamps with GU10 base.
- Incl. bracket for standard-compliant strain relief.
- Ceiling cut-out 68 mm, diameter 82 mm, installation depth 125 mm, IP20.
- Pivoting range 25°.
- Version: with snap ring.
- Classic, formally restrained design.
- Also available as a GX5.3 version with the same look, as a switchable and dimmable set (trailing edge).

CARYL Recessed spot, GU 10

Article no. 36303030

Light.
For Generations.

| Article data | |
|--------------------|---------------------|
| Article no. | 36303030 |
| GTIN | 4250047782254 |
| Series name | CARYL |
| Short description | Recessed spot, GU10 |
| Material | Aluminium |
| Colour | Chrome |
| Type of surface | Matt |
| Shape | Round |
| Outer diameter | 82 mm |
| Built-in diameter | 68 mm |
| Installation depth | 125 mm |
| Hight | 4 mm |
| Weight | 0.120 kg |

| Operating technology of the luminaire | |
|---------------------------------------|------------------------|
| System output | 50 W |
| Voltage type | AC |
| AC nominal voltage max | 230 V |
| Frequenz max. | 50 Hz |
| Lamp | For LED-retrofill lamp |
| Lamp holder | GU 10 |
| Protection class | II |
| Degree of protection | IP20 |
| Control | Other |
| Bulb change possible | Yes |

| Mounting technology | |
|------------------------|---|
| Mounting method | Recessed mounting |
| Place of installation | Ceiling-mounted |
| Adjustability | Pivoted |
| Swivel angle | 25° |
| Max. ceiling thickness | 13 mm |
| Further references | No cover with thermal insulation material |
| Material cover | Without cover |

| Packing data | |
|-------------------------|---|
| Gross weight | 0.151 kg |
| Length of packaging | 140 mm |
| Packaging width | 110 mm |
| Packaging hight | 120 mm |
| Disposal at end of life | This product must not be disposed of with household waste. You are obliged, to dispose of such electrical waste separately. By disposing of electrical waste and other old or defective electronics separately, you support recycling or other forms of re-use. In that way you help to take care and to avoid that harmful substances get into the environment. |