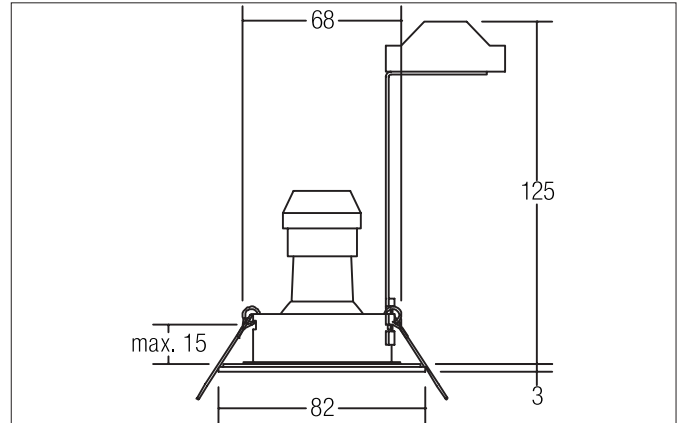


Recessed downlight, V4A, IP54, GU10
 Article no. 36004080

Light.
 For Generations.



Tender
 Recessed downlight, V4A, IP54, GU10, black, Round. In a compact design, for installation in tool-less rapid assembly systems. Including bracket with GU10 socket for standard-compliant strain relief. Lamp holder: GU10, Mounting method: Recessed mounting, Place of installation: Ceiling-mounted, Material: Stainless steel V4A / Glass, Degree of protection: according to DIN EN 60529 IP54*, Protection class: (EN 61140) II, Voltage: 230V AC 50Hz, Power: 35W, Amount of light sources / fittings: 1.0 Qty, Adjustability: Not adjustable, Control: Other.

Article data	
Article no.	36004080
Short description	Recessed downlight, V4A, IP54, GU10
Material	Stainless steel / Glass
Colour	Black
Type of surface	Matt
Shape	Round
Outer diameter	82 mm
Built-in diameter	68 mm
Installation depth	125 mm
Hight	3 mm
Weight	0.245 kg

Lighting technology	
Light colour	White
Light output	Direct
Light sharing	Symmetric

Recessed downlight, V4A, IP54, GU10
Article no. 36004080

Light.
For Generations.

Operating technology of the luminaire	
System output	35 W
Voltage type	AC
AC nominal voltage max	220 V
Frequenz max.	50 Hz
Lamp	for LED-retrofill lamp
Lamp holder	GU10
Protection class	II
Degree of protection	IP54
Schutzart deckenseitig	IP20
Control	Other
Bulb change possible	Yes

Mounting technology	
Mounting method	Recessed mounting
Place of installation	Ceiling-mounted
Adjustability	Not adjustable
Max. ceiling thickness	15 mm
Further references	No cover with thermal insulation material
Material cover	Glass transparent
Circlip	Without circlip

Packing data	
Gross weight	0.297 kg
Length of packaging	140 mm
Packaging width	110 mm
Packaging high	120 mm
Disposal at end of life	This product must not be disposed of with household waste. You are obliged, to dispose of such electrical waste separately. By disposing of electrical waste and other old or defective electronics separately, you support recycling or other forms of re-use. In that way you help to take care and to avoid that harmful substances get into the environment.