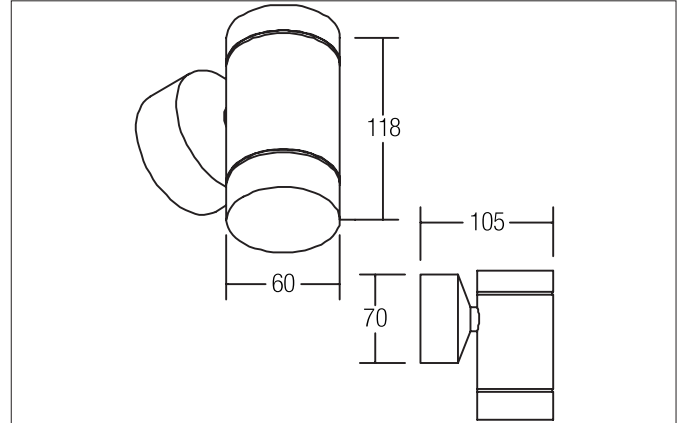


Wall surface mounted luminaire, V4A, IP44, GU10
Article no. 35001420

Light.
For Generations.



Tender

Wall surface mounted luminaire, V4A, IP44, GU10, stainless steel, Round. Surface mounting, Wall-mounted. Direct light emission. Lamp holder: GU10, Mounting method: Surface mounting, Place of installation: Wall-mounted, Material: Stainless steel V4A / Glass, Degree of protection: according to DIN EN 60529 IP44, Protection class: (EN 61140) I, Voltage: 230V AC 50Hz, Power: 35 W, Amount of light sources / fittings: 1 Qty, without control gear, Control: Other.

Article data	
Article no.	35001420
GTIN	4250047764946
Short description	Wall surface mounted luminaire, V4A, IP44, GU10
Material	Stainless steel
Colour	Stainless steel
Type of surface	Matt
Shape	Round
Outer diameter	60 mm
Length	110 mm
Width	70 mm
Height	120 mm
Weight	1.144 kg

Wall surface mounted luminaire, V4A, IP44, GU 10

Article no. 35001420

Light.
For Generations.

Operating technology of the luminaire	
System output	35 W
Voltage type	AC
AC nominal voltage max	230 V
Frequenz max.	50 Hz
Lamp	HV halogen lamp
Lamp holder	GU10
Protection class	I
Degree of protection	IP44
Control	Other

Mounting technology	
Mounting method	Surface mounting
Place of installation	Wall-mounted
Adjustability	Not adjustable
stamp	UKCA
Further references	V4A Outdoor
Material cover	Glass transparent

Packing data	
Gross weight	1.305 kg
Length of packaging	175 mm
Packaging width	165 mm
Packaging height	110 mm
Disposal at end of life	This product must not be disposed of with household waste. You are obliged, to dispose of such electrical waste separately. By disposing of electrical waste and other old or defective electronics separately, you support recycling or other forms of re-use. In that way you help to take care and to avoid that harmful substances get into the environment.