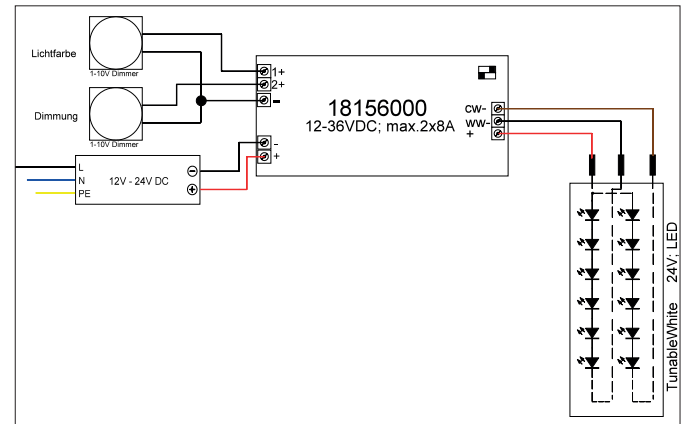
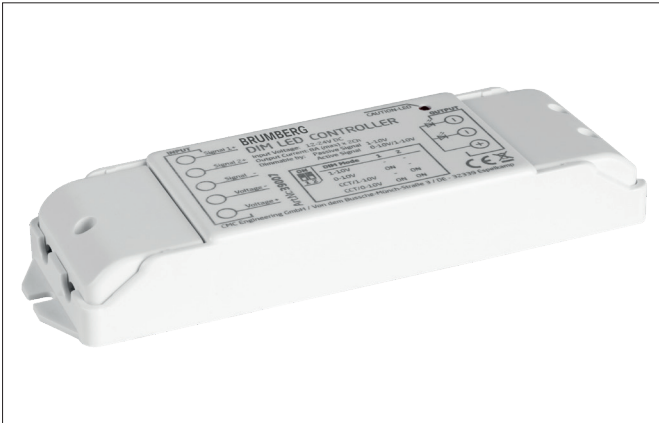


## TunableWhite LED dimmer 12-24 V DC, 2x 1-10 V

Article no. 18156000

Light.  
For Generations.



### Tender

TunableWhite LED dimmer 12-24 V DC, 2x 1-10 V. Two-channel (one or more colors) LED dimmer for constant voltage operation (12-24 V DC). Wiring is carried out using screw terminals. Cable cross-section: 0.5 - 2.5 mm<sup>2</sup>. An external power supply is required for operation. Output signal (dimming): PWM (pulse width modulation). With protection against overload and short-circuit, maximum output power: 2 x 192 W. The device can use two 1-10-V signals for dimming either two independent lamp groups, or for adjusting and dimming the color temperatures of one TunableWhite group. Material: Plastic, Degree of protection: according to DIN EN 60529 IP20, Protection class: (EN 61140) III, Voltage: 12V 24V, Control: 1-10 V.

| Article data      |   |
|-------------------|---|
| Article no.       | 18156000                                      |
| GTIN              | 4251433920656                                 |
| Short description | TunableWhite LED dimmer 12-24 V DC, 2x 1-10 V |
| Material          | Plastic                                       |
| Length            | 167 mm  |
| Width             | 51 mm   |
| Height            | 23 mm   |
| Weight            | 0.096 kg                                      |

| Operating technology of driver |                |
|--------------------------------|----------------|
| Protection class               | III            |
| Degree of protection           | IP20           |
| Control                        | 1-10 V         |
| Environment temperature (ta)   | 0°C up to 40°C |
| Measure point (tc)             | max. +75 °C    |

**TunableWhite LED dimmer 12-24 V DC, 2x 1-10 V**

Article no. 18156000

Light.  
For Generations.

| Packing data            |  |
|-------------------------|--|
| Gross weight            | 0.116 kg   |
| Length of packaging     | 175 mm   |
| Packaging width         | 57 mm  |
| Packaging height        | 28 mm  |
| Disposal at end of life | <p>This product must not be disposed of with household waste. You are obliged, to dispose of such electrical waste separately.</p> <p>By disposing of electrical waste and other old or defective electronics separately, you support recycling or other forms of re-use. In that way you help to take care and to avoid that harmful substances get into the environment.</p> |