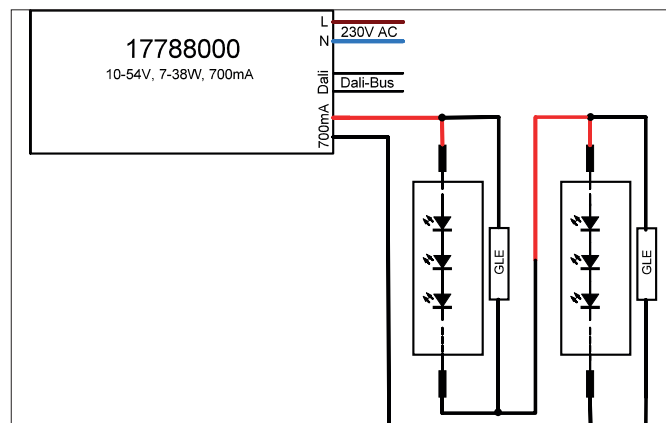
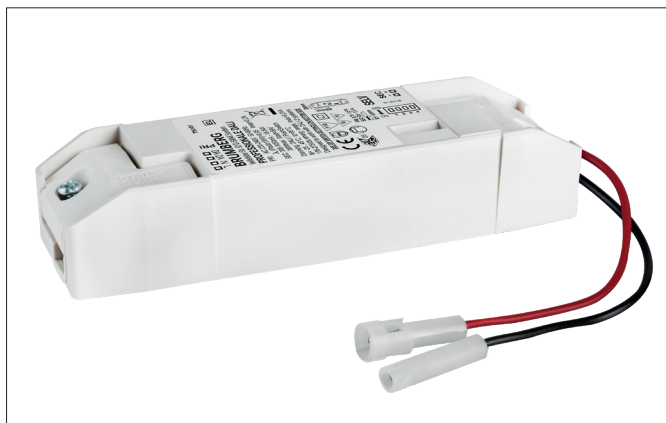


LED converter 700 mA, DALI dimmable (digital)

Article no. 17788000

Light.
For Generations.**Tender**

LED converter 700 mA, DALI dimmable (digital) , Rectangular. This converter is equipped with safety devices which protect it against over-voltage, short-circuit as well as thermal and electric overloads. The input and output terminals are suitable for cables with a cross-section of up to 0.75-1.5 mm². Material: Plastic, Degree of protection: according to DIN EN 60529 IP20, Protection class: (EN 61140) II, Current: 700 mA, Voltage: 230V AC 50Hz , Power: 38 W, Dimmable: Yes, Control: DALI-2 .

Article data

Article no.	17788000
GTIN	4251433924173
Short description	LED converter 700 mA, DALI dimmable (digital)
Material	Plastic
Shape	Rectangular
Length	146 mm
Width	44 mm
Height	30 mm
Scope of delivery	Plug&Play version with 110 mm P&P output cable
Weight	0.158 kg

LED converter 700 mA, DALI dimmable (digital)

Article no. 17788000

Light.
For Generations.

Operating technology of driver	
AC nominal voltage min	198 V
AC nominal voltage max	264 V
Frequency min	50 Hz
Frequency max	60 Hz
DC nominal voltage min	176 V
DC nominal voltage max	275 V
Output current	700 mA
Protection class	II
Degree of protection	IP20
Starting current	5A 50 μ s
Power min	7 W
Power	38 W
Output_ripple_current	3
Suitable for emergency lighting	No
Control	DALI-2
Environment temperature (ta)	-25 °C up to +45 °C
Measure point (tc)	85 °C
Version	Plug&Play

Packing data	
Gross weight	0.178 kg
Length of packaging	45 mm
Packaging width	35 mm
Packaging height	190 mm
Disposal at end of life	This product must not be disposed of with household waste. You are obliged, to dispose of such electrical waste separately. By disposing of electrical waste and other old or defective electronics separately, you support recycling or other forms of re-use. In that way you help to take care and to avoid that harmful substances get into the environment.