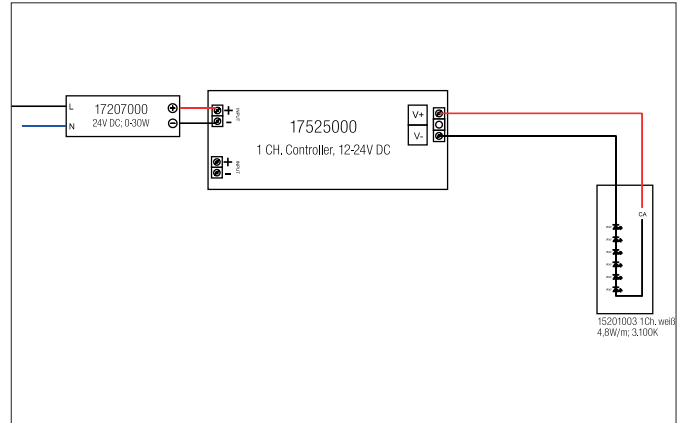


White light radio control
Article no. 17526000

Light.
For Generations.



Tender
White light radio control. White light radio controller for controlling the one-color LED modules in the white light range or for controlling dim-warm flexible printed circuit boards 15312003 / 15362003. Controller: voltage: 12-24 V DC, current: maximum 10 A (2 x 5 A or 3 x 3.33 A), power: maximum 120 W / 240 W (12 V DC / 24 V DC), control: negative (common anode), control signal: PWM, radio frequency: 869.5 MHz, range (visual contact): up to 20 m, ambient temperature (ta): 0 °C to +40 °C. Controller connection using screw terminals, (Dimensions: L 178 x W 46 x H 18 mm. Material: Plastic, delivery: including strain relief. Controller per remote control: maximum 4 (for optimum radio connection) Remote control: Voltage (battery): 4.5 V DC - 3 x AAA (not included in the scope of delivery), Radio frequency: 869.5 MHz, transmission power (Ps) < 0 dBm, Range (visual contact): up to 20 m, Ambient temperature (ta): 0 °C to +40 °C, Dimensions: L 120 x W 48 x H 18 mm. Material: Plastic. Function scope:- On / Off. Dimming using a touch wheel - Save keys S1 / S2- Selection keys 25% / 50% / 75% / 100% brightness Degree of protection: according to DIN EN 60529 IP20, Protection class: (EN 61140) III, Voltage: 12V 24V, .

Article data	
Article no.	17526000
GTIN	4251433922582
Short description	White light radio control
Weight	0.060 kg

White light radio control

Article no. 17526000

Light.
For Generations.

Packing data	
Gross weight	0.07 kg
Length of packaging	145 mm
Packaging width	50 mm
Packaging height	25 mm
Disposal at end of life	<p>This product must not be disposed of with household waste. You are obliged, to dispose of such electrical waste separately.</p> <p>By disposing of electrical waste and other old or defective electronics separately, you support recycling or other forms of re-use. In that way you help to take care and to avoid that harmful substances get into the environment.</p>