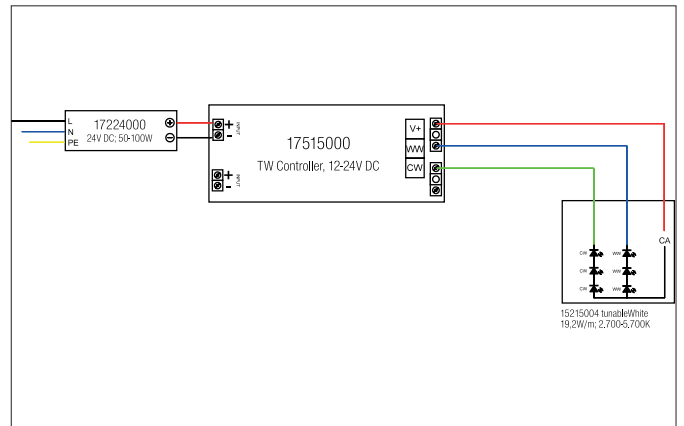


**TunableWhite radio control**  
 Article no. 17515000

Light.  
 For Generations.



**Tender**  
 TunableWhite radio control. TunableWhite radio controller for controlling the two-color LED modules in the white light range. Controller: Voltage: 12-24 V DC, Current: maximum 2 x 5 A, Power: maximum 120 W / 240 W (12 V DC / 24 V DC), Control: negative (common anode), Control signal: PWM, Radio frequency: 869.5 MHz, Range (visual contact): up to 20 m, Ambient temperature (ta): 0 °C to +40 °C, Controller connection using screw terminals, Dimensions: L 178 x W 46 x H 18 mm. Material: Plastic, delivery: including strain relief, Controller per remote control: maximum 4 (for optimum radio connection). Remote control: Voltage (battery): 4.5 V DC - 3 x AAA (not included in the scope of delivery), Radio frequency: 869.5 MHz, transmission power (Ps) &lt; 0 dBm, Range (visual contact): up to 20 m, Ambient temperature (ta): 0 °C to +40 °C, Dimensions: L 120 x W 48 x H 18 mm. Material: Plastic. Function scope:- On / Off. Light color change using a touch wheel. Dimming of the set light color. Save keys S1 / S2. Selection keys 25% / 50% / 75% / 100% brightness Degree of protection: according to DIN EN 60529 IP20, Protection class: (EN 61140) III, Voltage: 12V 24V, Power: 240 W, Control: Wireless technology control.

| Article data      |                            |
|-------------------|----------------------------|
| Article no.       | 17515000                   |
| GTIN              | 4251433922254              |
| Short description | TunableWhite radio control |
| Material          | Plastic                    |
| Weight            | 0.070 kg                   |

**TunableWhite radio control**

Article no. 17515000

Light.  
For Generations.

| Packing data            |  |
|-------------------------|--|
| Gross weight            | 0.088 kg   |
| Length of packaging     | 150 mm   |
| Packaging width         | 50 mm  |
| Packaging height        | 25 mm  |
| Disposal at end of life | <p>This product must not be disposed of with household waste. You are obliged, to dispose of such electrical waste separately.</p> <p>By disposing of electrical waste and other old or defective electronics separately, you support recycling or other forms of re-use. In that way you help to take care and to avoid that harmful substances get into the environment.</p> |