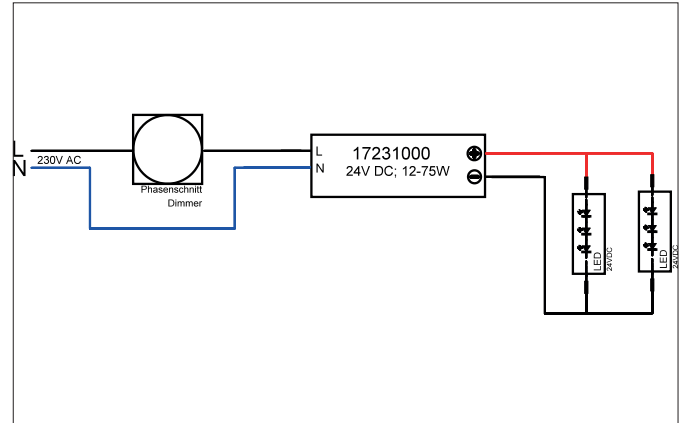


LED power supply 24 V DC, dimmable

Article no. 17231000

Light.
For Generations.



Tender

LED power supply 24 V DC, dimmable. Material: Plastic, Degree of protection: according to DIN EN 60529 IP20, Protection class: (EN 61140) II, Voltage: 24V, Power: 75 W, Control: Trailing-edge phase.

Article data

Article no.	17231000
GTIN	4251433938453
Short description	LED power supply 24 V DC, dimmable
Material	Plastic
Length	185 mm
Width	60 mm
Height	31 mm
Weight	0.488 kg

Operating technology of driver

AC nominal voltage max	230 V
Frequenz max.	50 Hz
Protection class	II
Degree of protection	IP20
Starting current	30 A (300 μs)
Power min	12 W
Power max.	75 W
Control	Trailing-edge phase, Leading edge phase
Environment temperature (ta)	-10 °C up to +45 °C
Measure point (tc)	max. +85 °C

All technical data as well as, weight and measurements are based on rated values and had been carefully prepared. We reserve the right to make technical changes which are important in progressing. Product pictures are examples and can vary from the original. Subject to errors.

Date 04.12.2023 Orders are placed under our general terms and conditions under <https://www.brumberg.com/en/terms-and-conditions/general-terms-and-conditions-of-sale/>

LED power supply 24 V DC, dimmable

Article no. 17231000

Light.
For Generations.

Packing data	
Gross weight	0.505 kg
Length of packaging	190 mm
Packaging width	35 mm
Packaging height	65 mm
Disposal at end of life	<p>This product must not be disposed of with household waste. You are obliged, to dispose of such electrical waste separately.</p> <p>By disposing of electrical waste and other old or defective electronics separately, you support recycling or other forms of re-use. In that way you help to take care and to avoid that harmful substances get into the environment.</p>