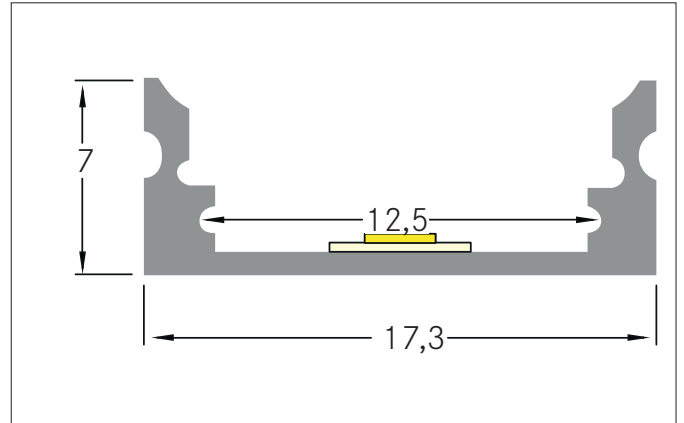
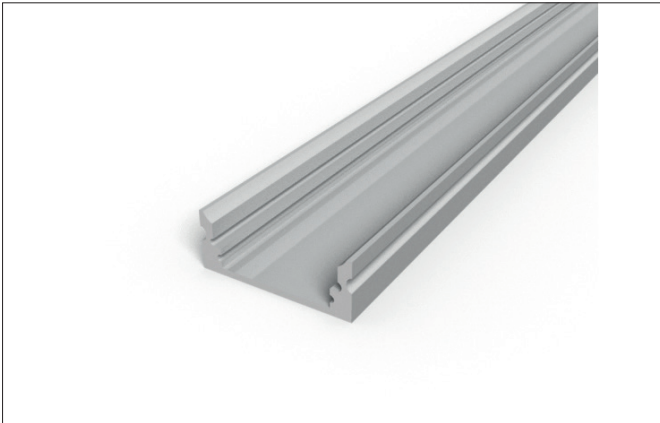


QUALITYFLEX ONE Surface-mounted aluminum profile complete set

Article no. 15891260

Light.
For Generations.**Tender**

Surface-mounted aluminum profile complete set, alu anodized. Complete add-on profile set, consisting of: 2 x aluminum profile length 2,500 mm each, color: anodized aluminum 4 x end caps, color: grey 12 x mounting clips, color: silver 2 x cover length each 2.500 mm, color: opal, transmittance: 70% Mounting method: Mounting profile. Material: Aluminium / Plastic / Steel / PC, dimensions profile: length: 2.500 mm x width: 17,3 mm x height: 7 mm

Product Benefits

- Complete set consisting of flat aluminium profile, opal cover and mounting accessories.
- Low configuration effort.
- Delivery length 2500 mm for individual customizing to the desired length.

Article data	
Article no.	15891260
GTIN	4251433921899
Series name	QUALITYFLEX ONE
Short description	Surface-mounted aluminum profile complete set
Material	Aluminium / Plastic / Steel / PC
Colour	Alu
Transmittance	70 %
Length	2,500 mm
Width	17.3 mm
Hight	7 mm
Weight	0.522 kg

QUALITYFLEX ONE Surface-mounted aluminum profile complete set

Article no. 15891260

Light.
For Generations.

Packing data	
Gross weight	0.522 kg
Length of packaging	2,520 mm
Packaging width	45 mm
Packaging height	45 mm
Note	Please note that the materials aluminium and PMMA or PC can expand differently with changes in temperature! At a temperature change of 10°C, the coefficient of expansion is approx. aluminium is approx. 0.7mm per metre, for plastic approx. 1.5mm per metre. This is not a defect in the product, this is a normal physical process.
Disposal at end of life	This product must not be disposed of with household waste. You are obliged, to dispose of such electrical waste separately. By disposing of electrical waste and other old or defective electronics separately, you support recycling or other forms of re-use. In that way you help to take care and to avoid that harmful substances get into the environment.