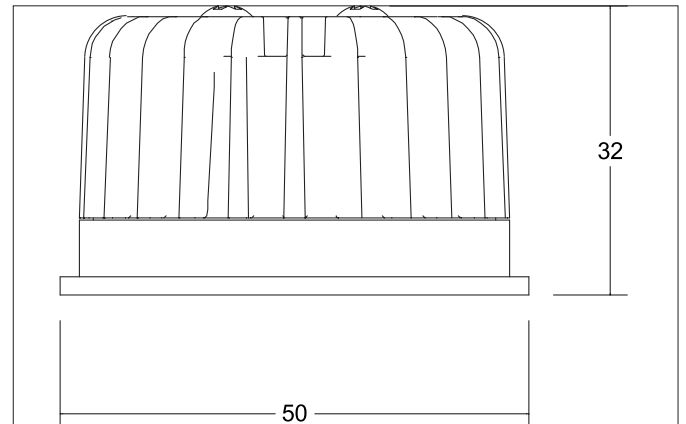


**LED reflector insert MR16, 6 W, 350 mA**

Article no. 12924604

Light.  
For Generations.**Tender**

LED reflector insert MR16, 6 W, 350 mA, Round. Ceiling cut-out Installation depth mm, Outer diameter 50 mm, Weight 0,078 kg, with rotationssymmetrical, deep, wide distributed light intensity.with Lamp holder Plug&Play max: 6 W , Delivery without bulb.Housing material: Aluminium / Glass, Permissible ambient temperature (ta): -20 °C - +25 °C, Protection class (EN 61140): III, Degree of protection (DIN EN 60529): IP20, .For connection to an external driver, which is not included in the scope of delivery of the luminaire. Depending on driver dimmable.

| Article data      |  |
|-------------------|--|
| Article no.       | 12924604                               |
| GTIN              | 4251433936251                          |
| Short description | LED reflector insert MR16, 6 W, 350 mA |
| Material          | Aluminium / Glass                      |
| Shape             | Round                                  |
| Outer diameter    | 50 mm                                  |
| Hight             | 32 mm                                  |
| Weight            | 0.078 kg                               |

**LED reflector insert MR16, 6 W, 350 mA**

Article no. 12924604

Light.  
For Generations.

| Lighting technology |            |
|---------------------|------------|
| Colour temperature  | 3.500 K    |
| Light colour        | White      |
| Luminous flux       | 660 lm     |
| System efficiency   | 110 lm/W   |
| Colour rendering    | CRI > 80   |
| Reflector           | High-gloss |
| Beam angle          | 60°        |
| Light sharing       | Symmetric  |

| Operating technology of the luminaire |  |
|---------------------------------------|--|
| Voltage type                          | DC   |
| Current                               | 350 mA   |
| Lamp                                  | LED  |
| Lamp holder                           | Plug&Play  |
| Protection class                      | III  |
| Degree of protection                  | IP20   |
| Control                               | Depending on driver  |
| Bulb change possible                  | The light source of this luminaire may only be replaced by the manufacturer or a service technician commissioned by him or a similarly qualified person. |
| Rated life time L80/B20 at 25 °C      | 50.000 h   |

| Packing data            |   |
|-------------------------|---|
| Gross weight            | 0.089 kg  |
| Length of packaging     | 55 mm   |
| Packaging width         | 55 mm   |
| Packaging height        | 65 mm   |
| Disposal at end of life | This product must not be disposed of with household waste. You are obliged, to dispose of such electrical waste separately.<br>By disposing of electrical waste and other old or defective electronics separately, you support recycling or other forms of re-use. In that way you help to take care and to avoid that harmful substances get into the environment. |

**LED reflector insert MR16, 6 W, 350 mA**

Article no. 12924604

Light.  
For Generations.

| Required accessories  |  |
|---|--|
|    | Article no.: 17662020<br>LED converter 350 mA, on/off switchable<br>Power: 1 - 7,2 W<br>Dimensions: 68 mm x 35 mm x 21 mm              |
|    | Article no.: 17613000<br>LED converter 350 mA, on/off switchable<br>Power: 1 - 15 W<br>Dimensions: 115 mm x 34 mm x 19 mm              |
|    | Article no.: 17621020<br>LED converter 350 mA, on/off switchable<br>Power: 1 - 21 W<br>Dimensions: 128 mm x 50 mm x 13 mm              |
|    | Article no.: 17663020<br>LED converter 350 mA, trailing-edge phase dimmable<br>Power: 2,8 - 7 W<br>Dimensions: 110 mm x 50 mm x 19 mm  |
|   | Article no.: 17652020<br>LED-round converter 350 mA, trailing-edge phase dimmer<br>Power: 4,9 - 7 W<br>Dimensions: 51 mm x 24 mm       |
|  | Article no.: 17640020<br>LED converter 350 mA, trailing-edge phase dimmable<br>Power: 4,2 - 10 W<br>Dimensions: 102 mm x 38 mm x 21 mm |
|  | Article no.: 17657000<br>LED converter 350 mA, 1-10 V dimmable (analog)<br>Power: 5,2 - 18 W<br>Dimensions: 110 mm x 52 mm x 22 mm     |
|  | Article no.: 17683020<br>LED converter 350 mA, DALI dimmable (digital)<br>Power: 3,5 - 17 W<br>Dimensions: 110 mm x 52 mm x 22 mm      |
|  | Article no.: 17648020<br>LED converter 350 mA, trailing-edge phase dimmable<br>Power: 0,7 - 17 W<br>Dimensions: 166 mm x 46 mm x 34 mm |
|  | Article no.: 17671020<br>LED converter 350mA, ZigBee dimmable<br>Power: 3,5 - 18,5 W<br>Dimensions: 146 mm x 44 mm x 30 mm             |