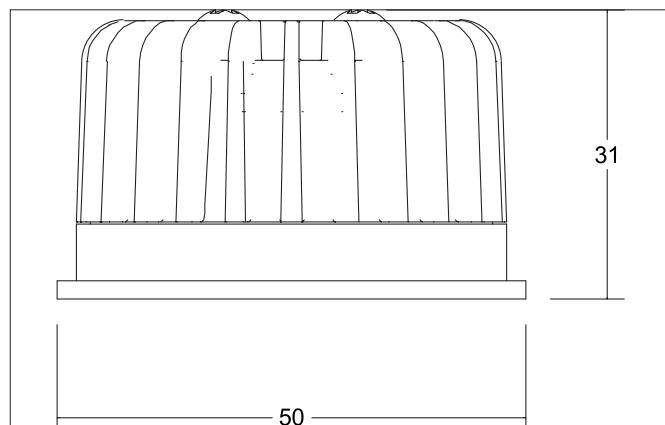


DISC LED insert, MR16, 6 W, with lens optics, 350 mA

Article no. 12920604

Light.
For Generations.**Tender**

LED insert, MR16, 6 W, with lens optics, 350 mA, , Round.Lamp holder: Plug&Play, Material: Aluminium / Plastic, Degree of protection: according to DIN EN 60529 IP20, Protection class: (EN 61140) III, Current: 350 mA, Power: 6 W, Amount of light sources / fittings: 1 Qty, Luminous flux : 660 lm, Colour temperature: 4.000 K, Light colour: White, Beam angle: 60°, Control: Depending on driver.

Article data

| | |
|-------------------|---|
| Article no. | 12920604 |
| GTIN | 4251433926603 |
| Series name | DISC |
| Short description | LED insert, MR16, 6 W, with lens optics, 350 mA |
| Material | Aluminium / Plastic |
| Shape | Round |
| Outer diameter | 50 mm |
| Hight | 31 mm |
| Weight | 0.061 kg |

Lighting technology

| | |
|--------------------|-----------|
| Colour temperature | 4.000 K |
| Light colour | White |
| Luminous flux | 660 lm |
| Colour rendering | CRI > 80 |
| Luminaire optics | Lens |
| Beam angle | 60° |
| Light sharing | Symmetric |

DISC LED insert, MR16, 6 W, with lens optics, 350 mA

Article no. 12920604

Light.
For Generations.

| Operating technology of the luminaire | |
|---------------------------------------|--|
| System output | 6 W |
| Voltage type | DC |
| Current | 350 mA |
| Lamp | LED |
| Lamp holder | Plug&Play |
| Protection class | III |
| Degree of protection | IP20 |
| Control | Depending on driver |
| Bulb change possible | The light source of this luminaire may only be replaced by the manufacturer or a service technician commissioned by him or a similarly qualified person. |
| Rated life time L80/B20 at 25 °C | 50.000 h |

| Packing data | |
|-------------------------|---|
| Gross weight | 0.072 kg |
| Length of packaging | 70 mm |
| Packaging width | 47 mm |
| Packaging height | 81 mm |
| Disposal at end of life | This product must not be disposed of with household waste. You are obliged, to dispose of such electrical waste separately. By disposing of electrical waste and other old or defective electronics separately, you support recycling or other forms of re-use. In that way you help to take care and to avoid that harmful substances get into the environment. |

DISC LED insert, MR16, 6 W, with lens optics, 350 mA

Article no. 12920604

Light.
For Generations.

| Required accessories | |
|---|--|
|  | LED converter 350 mA, on/off switchable Power: 1 - 7,2 W Dimensions: 68 mm x 35 mm x 21 mm |
|  | LED converter 350 mA, on/off switchable Power: 1 - 15 W Dimensions: 115 mm x 34 mm x 19 mm |
|  | LED converter 350 mA, on/off switchable Power: 1 - 21 W Dimensions: 128 mm x 50 mm x 13 mm |
|  | LED converter 350 mA, trailing-edge phase dimmable Power: 2,8 - 7 W Dimensions: 110 mm x 50 mm x 19 mm |
|  | LED-round converter 350 mA, trailing-edge phase dimmer Power: 4,9 - 7 W Dimensions: 51 mm x 24 mm |
|  | LED converter 350 mA, trailing-edge phase dimmable Power: 10,2 - 14 W Dimensions: 125 mm x 51 mm x 20 mm |
|  | LED converter 350 mA, 1-10 V dimmable (analog) Power: 5,2 - 18 W Dimensions: 110 mm x 52 mm x 22 mm |
|  | LED converter 350 mA, DALI dimmable (digital) Power: 3,5 - 17 W Dimensions: 110 mm x 52 mm x 22 mm |
|  | LED converter 350 mA, trailing-edge phase dimmable Power: 4,2 - 10 W Dimensions: 102 mm x 38 mm x 21 mm |
|  | LED converter 350 mA, trailing-edge phase dimmable Power: 8,8 - 18 W Dimensions: 110 mm x 52 mm x 22 mm |