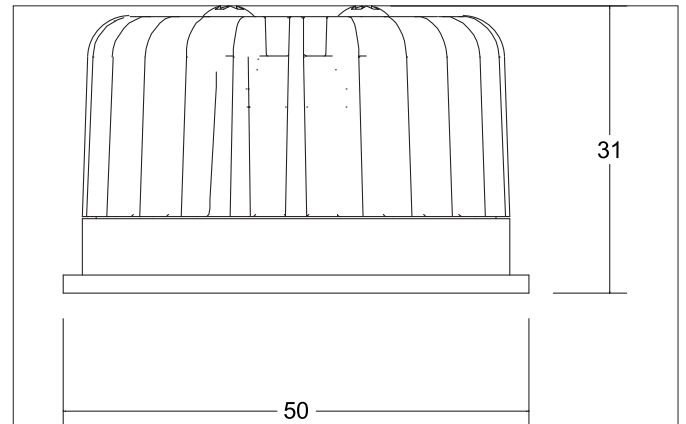


DISC LED insert, MR16, 6 W, with lens optics, 350 mA
Article no. 12920243

Light.
For Generations.



Tender

LED insert DISC, MR16, 6 W, with lens optics, round. Lamp holder: Plug&Play, Material: Aluminium / Plastic, Degree of protection: according to DIN EN 60529 IP20, Protection class: (EN 61140) III, Current: 350 mA, Power: 6W, Amount of light sources / fittings: 1.0 Qty, Luminous flux: 690lm, Colour temperature: 3.000 K, Beam angle: 24°, Control: Dimming depending on driver.

| Article data | |
|-------------------|---|
| Article no. | 12920243 |
| GTIN | 4251433926573 |
| Series name | DISC |
| Short description | LED insert, MR16, 6 W, with lens optics, 350 mA |
| Material | Aluminium / Plastic |
| Shape | Round |
| Outer diameter | 50 mm |
| Height | 31 mm |
| Weight | 0.061 kg |

| Lighting technology | |
|---------------------|-----------|
| Colour temperature | 3000 K |
| Light colour | White |
| Luminous flux | 690 lm |
| System efficiency | 115 lm/W |
| Colour rendering | CRI > 80 |
| Luminaire optics | Lens |
| Beam angle | 24° |
| Light sharing | Symmetric |

DISC LED insert, MR16, 6 W, with lens optics, 350 mA

Article no. 12920243

Light.
For Generations.


| Operating technology of the luminaire | |
|---------------------------------------|-----------------------------|
| System output | 6 W |
| Voltage type | DC |
| Current | 350 mA |
| Lamp | LED |
| Lamp holder | Plug&Play |
| Protection class | III |
| Degree of protection | IP20 |
| Control | Dimming depending on driver |
| Bulb change possible | Yes |
| Rated life time L80/B20 at 25 °C | 50.000 h |

| Packing data | |
|-------------------------|---|
| Gross weight | 0.072 kg |
| Length of packaging | 55 mm |
| Packaging width | 55 mm |
| Packaging height | 65 mm |
| Disposal at end of life | This product must not be disposed of with household waste. You are obliged, to dispose of such electrical waste separately. By disposing of electrical waste and other old or defective electronics separately, you support recycling or other forms of re-use. In that way you help to take care and to avoid that harmful substances get into the environment. |

DISC LED insert, MR16, 6 W, with lens optics, 350 mA

Article no. 12920243

Light.
For Generations.

| Accessories | |
|---|--|
|  | Article no.: 17662020 LED converter 350 mA, on/off switchable Leistung: 1 - 7,2 W Abmessung: 68 mm x 35 mm x 21 mm |
|  | Article no.: 17613000 LED converter 350 mA, on/off switchable Leistung: 1 - 15 W Abmessung: 115 mm x 34 mm x 19 mm |
|  | Article no.: 17621020 LED converter 350 mA, on/off switchable Leistung: 1 - 21 W Abmessung: 128 mm x 50 mm x 13 mm |
|  | Article no.: 17663020 LED converter 350 mA, trailing-edge phase dimmable Leistung: 2,8 - 7 W Abmessung: 110 mm x 50 mm x 19 mm |
|  | Article no.: 17652020 LED-round converter 350 mA, trailing-edge phase dimmer Leistung: 4,9 - 7 W Abmessung: 51 mm x 24 mm |
|  | Article no.: 17640020 LED converter 350 mA, trailing-edge phase dimmable Leistung: 4,2 - 10 W Abmessung: 102 mm x 38 mm x 21 mm |
|  | Article no.: 17657000 LED converter 350 mA, 1-10 V dimmable (analog) Leistung: 5,2 - 18 W Abmessung: 110 mm x 52 mm x 22 mm |
|  | Article no.: 17683020 LED converter 350 mA, DALI dimmable (digital) Leistung: 3,5 - 17 W Abmessung: 110 mm x 52 mm x 22 mm |
|  | Article no.: 17648020 LED converter 350 mA, trailing-edge phase dimmable Leistung: 0,7 - 17 W Abmessung: 166 mm x 46 mm x 34 mm |
|  | Article no.: 17671020 LED converter 350mA, ZigBee dimmable Leistung: 3,5 - 18,5 W Abmessung: 146 mm x 44 mm x 30 mm |