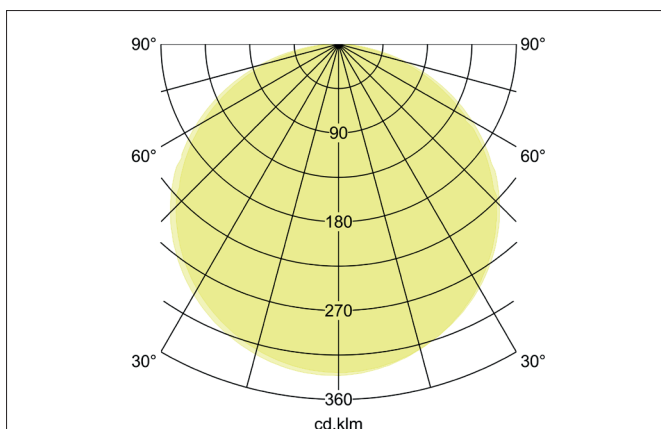
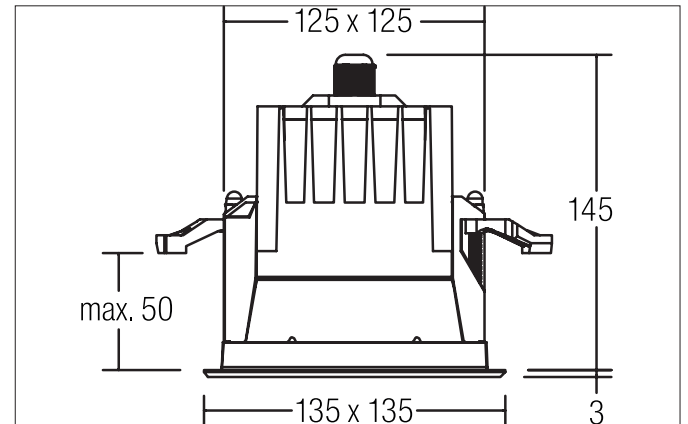


HYBRIDE LED recessed downlight, V4A, IP67
Article no. 12671223

Light.
For Generations.



Tender

LED recessed downlight, V4A, IP67, Square. Ceiling cut-out L x W 125 x 125 mm, Installation depth 145 mm, Length 135 mm, Width 135 mm, Weight 1,852 kg, with rotationssymmetrical, deep, wide distributed light intensity. optimal light distribution due to a glass opal cover. Luminous flux 550 lm, Power 1 x 11 W Light colour warm white, Correlated color temperature (CCT) 3.000 K, Colour rendering index CRI > 80, Housing material: Stainless steel / Aluminium / Glass, Colour: Stainless steel, Permissible ambient temperature (ta): -20 °C - +25 °C, Protection class (EN 61140): I, Degree of protection (DIN EN 60529): IP67, shock resistance according to IEC62262: IK09 . With electronic driver, on/off switchable.

HYBRIDE LED recessed downlight, V4A, IP67
Article no. 12671223

Light.
For Generations.

| Article data | |
|--------------------|--|
| Article no. | 12671223 |
| GTIN | 4251433916390 |
| Series name | HYBRIDE |
| Short description | LED recessed downlight, V4A, IP67 |
| Material | Stainless steel / Aluminium / Glass |
| Colour | Stainless steel |
| Type of surface | Matt |
| Shape | Square |
| Built-in width | 125 mm |
| Built-in length | 125 mm |
| Installation depth | 145 mm |
| Length | 135 mm |
| Width | 135 mm |
| Hight | 126 mm |
| Scope of delivery | Incl. converter for connection to the 230-V mains voltage, on/off switchable and 5,000 mm connecting cable |
| Weight | 1.852 kg |

| Lighting technology | |
|---------------------|-----------|
| Colour temperature | 3000 K |
| Light colour | White |
| Light output | Direct |
| Luminous flux | 550 lm |
| Colour rendering | CRI > 80 |
| Reflector | Without |
| Beam angle | 117° |
| Light sharing | Symmetric |

| Operating technology of the luminaire | |
|---------------------------------------|--------|
| System output | 11 W |
| Voltage type | AC |
| AC nominal voltage max | 230 V |
| Frequenz max. | 50 Hz |
| Lamp | LED |
| Protection class | I |
| Degree of protection | IP67 |
| Control | on/off |
| Bulb change possible | Yes |

| Mounting technology | |
|------------------------|-------------------|
| Mounting method | Recessed mounting |
| Place of installation | Ceiling-mounted |
| Adjustability | Not adjustable |
| Max. ceiling thickness | 50 mm |
| Impact resistance | IK09 |
| Further references | V4A |
| Material cover | Glass opal |

HYBRIDE LED recessed downlight, V4A, IP67
Article no. 12671223

Light.
For Generations.

| Packing data | |
|-------------------------|--|
| Gross weight | 2.069 kg |
| Length of packaging | 155 mm |
| Packaging width | 155 mm |
| Packaging height | 175 mm |
| Disposal at end of life | <p>This product must not be disposed of with household waste. You are obliged, to dispose of such electrical waste separately.</p> <p>By disposing of electrical waste and other old or defective electronics separately, you support recycling or other forms of re-use. In that way you help to take care and to avoid that harmful substances get into the environment.</p> |