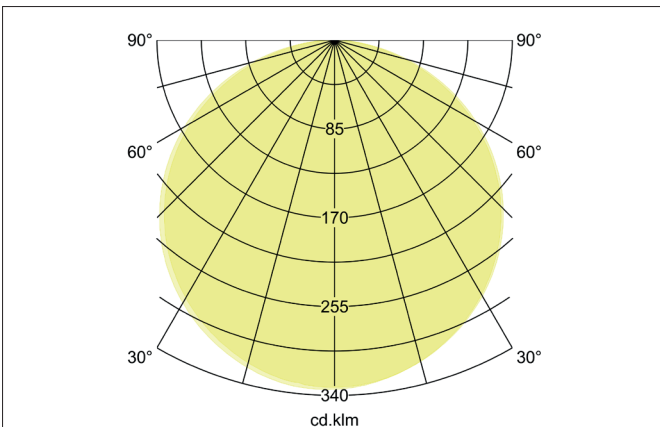
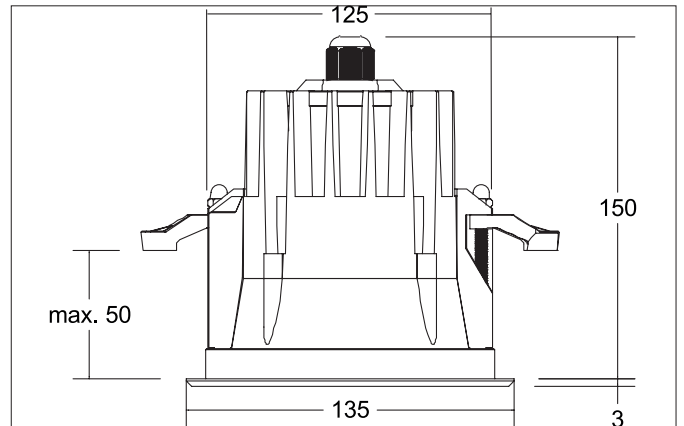


**HYBRIDE LED recessed downlight, V4A, IP67**  
 Article no. 12661223

Light.  
 For Generations.



**Tender**  
 LED recessed downlight, V4A, IP67, Round. Ceiling cut-out Ø 125 mm, Installation depth 150 mm, Outer diameter 135 mm, Weight 1,512 kg, with rotationssymmetrical, deep, wide distributed light intensity. optimal light distribution due to a glass structured cover. Luminous flux 350 lm, Power 1 x 7 W, System Efficiency 50 lm/W, Light colour warm white, Correlated color temprature (CCT) 3.000 K, Colour rendering index CRI > 80, Housing material: Stainless steel / Aluminium / Glass, Colour: Stainless steel, Permissible ambient temperature (ta): -20 °C - +25 °C, Protection class (EN 61140): I, Degree of protection (DIN EN 60529): IP67, shock resistance according to IEC62262: IK09 . With electronic driver, on/off switchable.

Article data	
Article no.	12661223
GTIN	4251433915232
Series name	HYBRIDE
Short description	LED recessed downlight, V4A, IP67
Material	Stainless steel / Aluminium / Glass
Colour	Stainless steel
Type of surface	Matt
Shape	Round
Outer diameter	135 mm
Built-in diameter	125 mm
Installation depth	150 mm
Scope of delivery	Incl. converter for connection to the 230-V mains voltage, on/off switchable and 5,000 mm connecting cable
Weight	1.512 kg

**HYBRIDE LED recessed downlight, V4A, IP67**

Article no. 12661223

Light.  
For Generations.

Lighting technology	
Colour temperature	3000 K
Light colour	White
Light output	Direct
Luminous flux	350 lm
System efficiency	50 lm/W
Colour rendering	CRI > 80
Reflector	High-gloss
Beam angle	117°
Light sharing	Symmetric

Operating technology of the luminaire	
System output	7 W
Voltage type	AC
AC nominal voltage max	230 V
Frequenz max.	50 Hz
Lamp	LED
Protection class	I
Degree of protection	IP67
Control	on/off
Bulb change possible	Yes

Mounting technology	
Mounting method	Recessed mounting
Place of installation	Ceiling-mounted
Adjustability	Not adjustable
Max. ceiling thickness	50 mm
Impact resistance	IK09
Further references	V4A
Material cover	Glass structured

Packing data	
Gross weight	1.725 kg
Length of packaging	155 mm
Packaging width	155 mm
Packaging height	175 mm
Disposal at end of life	This product must not be disposed of with household waste. You are obliged, to dispose of such electrical waste separately. By disposing of electrical waste and other old or defective electronics separately, you support recycling or other forms of re-use. In that way you help to take care and to avoid that harmful substances get into the environment.