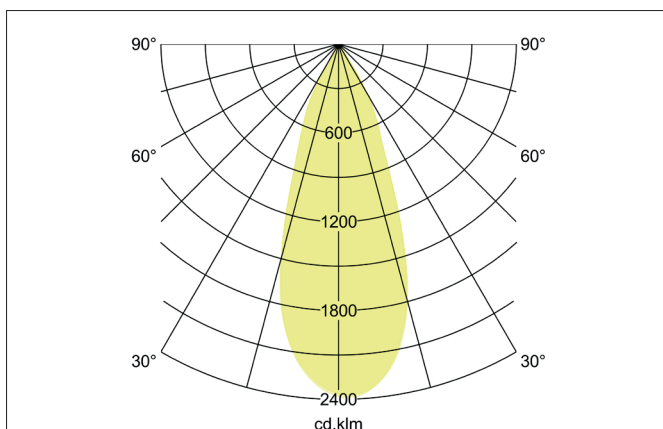
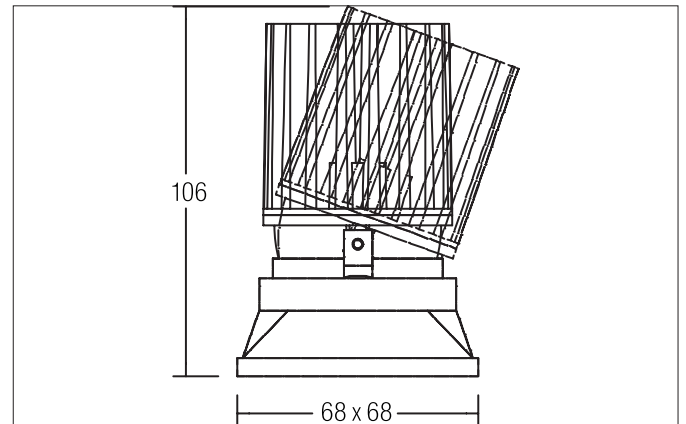


**COUPLED-S LED-System-recessed spot, deepened, dim2warm**

Article no. 12643073

Light.  
For Generations.**Tender**

LED-System-recessed spot, deepened, dim2warm, Square. Ceiling cut-out Installation depth 106 mm, Length 68 mm, Width 68 mm, Weight 0,193 kg, Reflector silver with rotationssymmetrical, deep, wide distributed light intensity. optimal light distribution due to a plastic, transparent cover. Luminous flux 920 lm, Power 1 x 9,4 W, System Efficiency 98 lm/W, Light colour warm white to warm white, Correlated color temperature (CCT) 3.000 K - 1.800 K, Colour rendering index CRI > 90, Housing material: Aluminium / Plastic, Colour: White, Permissible ambient temperature (ta): -20 °C - +25 °C, Protection class (EN 61140): III, Degree of protection (DIN EN 60529): IP20. For connection to an external driver, which is not included in the scope of delivery of the luminaire. Depending on driver dimmable.

Article data	
Article no.	12643073
GTIN	4251433916161
Series name	COUPLED-S
Short description	LED-System-recessed spot, deepened, dim2warm
Material	Aluminium / Plastic
Colour	White
Type of surface	Matt
Shape	Square
Installation depth	106 mm
Length	68 mm
Width	68 mm
Weight	0.193 kg

**COUPLED-S LED-System-recessed spot, deepened, dim2warm**

Article no. 12643073

Light.  
For Generations.

Lighting technology	
Colour temperature	3.000 K - 1.800 K
Light colour	White
Light output	Direct
Luminous flux	920 lm/m
System efficiency	98 lm/W
Colour rendering	CRI > 90
Reflector	High-gloss
Reflektorfarbe	silver
Beam angle	34°
Light sharing	Symmetric

Operating technology of the luminaire	
System output	9.4 W
Voltage type	DC
Current	500 mA
Lamp	LED
Protection class	III
Degree of protection	IP20
Dimmable	Depending on type of control gear
Control	Depending on driver
Bulb change possible	Yes

Mounting technology	
Mounting method	Recessed mounting
Place of installation	Ceiling-mounted
Adjustability	Rotable and pivoted
Swivel angle	20°
Rotation angle	350°
Further references	No cover with thermal insulation material
Material cover	Plastic, transparent

Packing data	
Gross weight	0.263 kg
Length of packaging	105 mm
Packaging width	105 mm
Packaging height	130 mm
Disposal at end of life	This product must not be disposed of with household waste. You are obliged, to dispose of such electrical waste separately. By disposing of electrical waste and other old or defective electronics separately, you support recycling or other forms of re-use. In that way you help to take care and to avoid that harmful substances get into the environment.

**COUPLED-S LED-System-recessed spot, deepened, dim2warm**

Article no. 12643073

Light.  
For Generations.

Accessories	
	Article no.: 17823010 LED converter 500 mA, on/off switchable Power: 1 - 22 W Dimensions: 146 mm x 43.5 mm x 30 mm
	Article no.: 17822010 LED converter 500 mA, trailing-edge phase dimmable Power: 8 - 20 W Dimensions: 110 mm x 52 mm x 22 mm
	Article no.: 17829010 LED converter 500 mA, trailing-edge phase dimmable Power: 1 - 24 W Dimensions: 166 mm x 46 mm x 34 mm
	Article no.: 17824010 LED converter 500 mA, 1-10V dimmable (analog) Power: 5 - 27 W Dimensions: 146 mm x 43.5 mm x 30 mm
	Article no.: 17826010 LED converter 500 mA, DALI dimmable (digital) Power: 5 - 27 W Dimensions: 146 mm x 44 mm x 30 mm