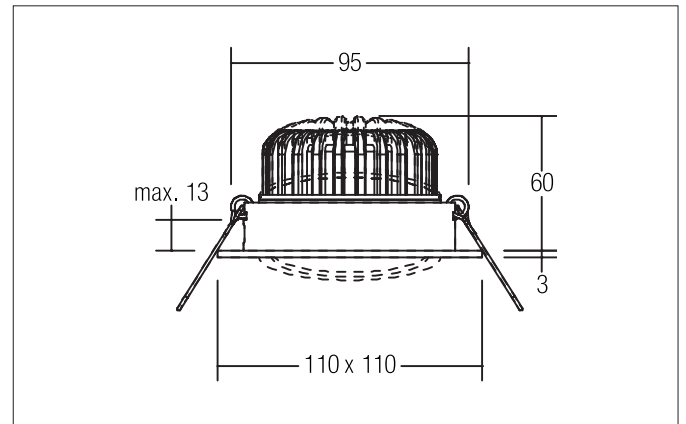


KERBY-S LED recessed spot, dim2warm

Article no. 12492073

Light.
For Generations.**Tender**

LED recessed spot, dim2warm, Square. Toolless ceiling installation by installation springs. Ceiling cut-out \varnothing 95 mm, Installation depth 60 mm, Length 110 mm, Width 110 mm, Weight 0,283 kg, Reflector silver with rotationssymmetrical, deep, wide distributed light intensity. optimal light distribution due to a glass transparent cover. Luminous flux 880 lm, Power 1 x 12 W, Light colour warm white to warm white, Correlated color temprature (CCT) 3.000 K - 1.800 K, Colour rendering index CRI > 90, Rated life time L80/B20 at 25 °C: 50.000 h, Housing material: Aluminium / Glass, Colour: White, Permissible ambient temperature (ta): -20 °C - +25 °C, Protection class (EN 61140): III, Degree of protection (DIN EN 60529): IP20, .For connection to an external driver, which is not included in the scope of delivery of the luminaire. Depending on driver dimmable.

Product Benefits

- Square recessed spotlight made of solid aluminum with a glass cover.
- Easy and tool-free mounting.
- CRI > 80.
- Low installation depth 60 mm, length 110 mm, width 110 mm, Ceiling cut-out 95 mm.
- Ceiling thickness maximum 13 mm.
- Version dim2warm for current supply with 350 mA.
- Alternatively as set dimmable (trailing-edge phase dimmer), in version 350 mA with static color temperature and in round design. round available.

KERBY-S LED recessed spot, dim2warm

Article no. 12492073

Light.
For Generations.

| Article data | |
|--------------------|-----------------------------|
| Article no. | 12492073 |
| GTIN | 4251433914440 |
| Series name | KERBY-S |
| Short description | LED recessed spot, dim2warm |
| Material | Aluminium / Glass |
| Colour | White |
| Type of surface | Matt |
| Shape | Square |
| Built-in diameter | 95 mm |
| Installation depth | 60 mm |
| Length | 110 mm |
| Width | 110 mm |
| Hight | 3 mm |
| Weight | 0.283 kg |

| Lighting technology | |
|------------------------------|-------------------|
| Colour temperature | 3.000 K - 1.800 K |
| Light colour | White |
| Light output | Direct |
| Luminous flux | 880 lm |
| System efficiency | 73 lm/W |
| Colour rendering | CRI > 90 |
| Reflector | High-gloss |
| Reflector colour | silver |
| Beam angle | 38° |
| Light sharing | Symmetric |
| Adjustable color temperature | Infinite control |

| Operating technology of the luminaire | |
|---------------------------------------|--|
| Voltage type | DC |
| Current | 350 mA |
| Lamp | LED |
| Protection class | III |
| Degree of protection | IP20 |
| Dimmable | Depending on type of control gear |
| Control | Depending on driver |
| Bulb change possible | The light source of this luminaire may only be replaced by the manufacturer or a service technician commissioned by him or a similarly qualified person. |
| Rated life time L80/B20 at 25 °C | 50.000 h |

| Mounting technology | |
|------------------------|---|
| Mounting method | Recessed mounting |
| Place of installation | Ceiling-mounted |
| Adjustability | Pivoted |
| Swivel angle | 15° |
| Max. ceiling thickness | 13 mm |
| stamp | UKCA |
| Further references | No mounting box No cover with thermal insulation material |
| Material cover | Glass transparent |

KERBY-S LED recessed spot, dim2warm
Article no. 12492073Light.
For Generations.

| Packing data | |
|-------------------------|--|
| Gross weight | 0.332 kg |
| Length of packaging | 135 mm |
| Packaging width | 70 mm |
| Packaging height | 120 mm |
| Disposal at end of life | <p>This product must not be disposed of with household waste. You are obliged, to dispose of such electrical waste separately.</p> <p>By disposing of electrical waste and other old or defective electronics separately, you support recycling or other forms of re-use. In that way you help to take care and to avoid that harmful substances get into the environment.</p> |

KERBY-S LED recessed spot, dim2warm

Article no. 12492073

Light.
For Generations.

| Accessories | |
|---|---|
|  | Article no.: 17664000 LED converter 350 mA, trailing-edge phase dimmable Power: 10,2 - 14 W Dimensions: 125 mm x 51 mm x 20 mm |
|  | Article no.: 17664010 LED converter 350 mA, trailing-edge phase dimmable Power: 10,2 - 14 W Dimensions: 125 mm x 51 mm x 20 mm |
|  | Article no.: 17664020 LED converter 350 mA, trailing-edge phase dimmable Power: 10,2 - 14 W Dimensions: 125 mm x 51 mm x 20 mm |
|  | Article no.: 17643000 LED converter 350 mA, trailing-edge phase dimmable Power: 8,8 - 18 W Dimensions: 110 mm x 52 mm x 22 mm |
|  | Article no.: 17643010 LED converter 350 mA, trailing-edge phase dimmable Power: 8,8 - 18 W Dimensions: 110 mm x 52 mm x 22 mm |
|  | Article no.: 17643020 LED converter 350 mA, trailing-edge phase dimmable Power: 8,8 - 18 W Dimensions: 110 mm x 52 mm x 22 mm |
|  | Article no.: 17657000 LED converter 350 mA, 1-10 V dimmable (analog) Power: 5,2 - 18 W Dimensions: 110 mm x 52 mm x 22 mm |
|  | Article no.: 17657010 LED converter 350 mA, 1-10 V dimmable (analog) Power: 5,2 - 18 W Dimensions: 110 mm x 52 mm x 22 mm |
|  | Article no.: 17683000 LED converter 350 mA, DALI dimmable (digital) Power: 3,5 - 17 W Dimensions: 110 mm x 52 mm x 22 mm |
|  | Article no.: 17683010 LED converter 350 mA, DALI dimmable (digital) Power: 3,5 - 17 W Dimensions: 110 mm x 52 mm x 22 mm |

KERBY-S LED recessed spot, dim2warm

Article no. 12492073

Light.
For Generations.

| Accessories | |
|--|---|
| A small white rectangular LED converter with two black wires and a black connector. | <p>Article no.: 17683020 LED converter 350 mA, DALI dimmable (digital) Power: 3,5 - 17 W Dimensions: 110 mm x 52 mm x 22 mm</p> |
| A white rectangular LED converter with two black wires and a black connector. | <p>Article no.: 17671000 LED converter 350mA, ZigBee dimmable Power: 3,5 - 18,5 W Dimensions: 146 mm x 44 mm x 30 mm</p> |
| A white rectangular LED converter with two black wires and a black connector. | <p>Article no.: 17671010 LED converter 350mA, ZigBee dimmable Power: 3,5 - 18,5 W Dimensions: 146 mm x 44 mm x 30 mm</p> |
| A white rectangular LED converter with two black wires and a black connector, and a black plastic cover. | <p>Article no.: 17671020 LED converter 350mA, ZigBee dimmable Power: 3,5 - 18,5 W Dimensions: 146 mm x 44 mm x 30 mm</p> |
| A white rectangular LED converter with two black wires and a black connector. | <p>Article no.: 17672000 LED converter 350mA, Casambi dimmable Power: 3,5 - 18 W Dimensions: 146 mm x 44 mm x 30 mm</p> |
| A white rectangular LED converter with two black wires and a black connector. | <p>Article no.: 17672010 LED converter 350mA, Casambi dimmable Power: 3,5 - 18 W Dimensions: 146 mm x 44 mm x 30 mm</p> |
| A white rectangular LED converter with two black wires and a black connector, and a black plastic cover. | <p>Article no.: 17672020 LED converter 350mA, Casambi dimmable Power: 3,5 - 18 W Dimensions: 146 mm x 44 mm x 30 mm</p> |
| A black cable with a connector on one end and a plug on the other. | <p>Article no.: 3835 Plug & Play extension lead 350 mA Dimensions: 500 mm</p> |
| A black cable with a connector on one end and a plug on the other. | <p>Article no.: 3836 Plug & Play extension lead 350 mA Dimensions: 1,000 mm</p> |
| A black cable with a connector on one end and a plug on the other. | <p>Article no.: 3837 Plug & Play extension lead 350 mA Dimensions: 2,000 mm</p> |