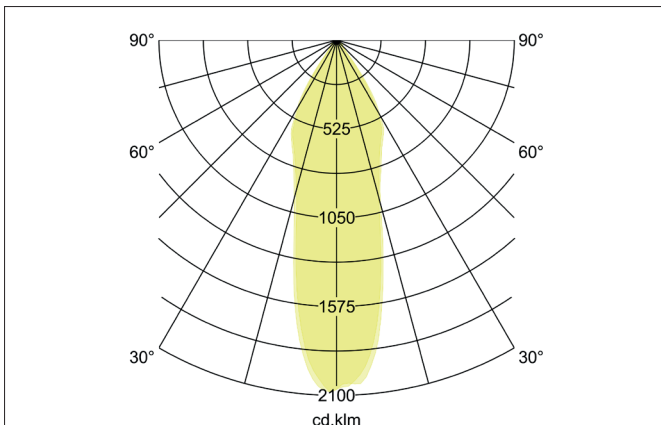
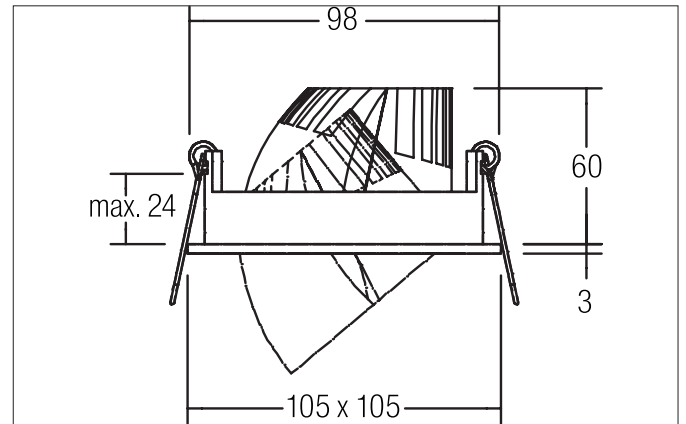


CIRCLE-S LED recessed spot, with all-round light gap

Article no. 12418173

Light.
For Generations.**Tender**

LED recessed spot, with all-round light gap, Square. Toolless ceiling installation by installation springs. Ceiling cut-out \varnothing 98 mm, Installation depth 60 mm, Length 105 mm, Width 105 mm, Weight 0,307 kg, Reflector silver with rotationssymmetrical, deep, wide distributed light intensity. optimal light distribution due to a plastic, transparent cover. Luminous flux 700 lm, Power 1 x 9,3 W, Light colour warm white, Correlated color temperature (CCT) 3.000 K, Colour rendering index CRI > 90, Housing material: Aluminium / Plastic, Colour: White structure, Permissible ambient temperature (t_a): -20 °C - +25 °C, Protection class (EN 61140): III, Degree of protection (DIN EN 60529): IP20, .For connection to an external driver, which is not included in the scope of delivery of the luminaire. Depending on driver dimmable.

Product Benefits

- Square recessed spot made of solid aluminum.
- Ceiling cut-out 98 mm, length 105 mm, width 105 mm, Installation depth 60 mm, luminous flux 700 lm, IP20.
- Pivoting range 40°, rotation range 350°.
- Dimmable when using a suitable converter.
- In the same surface structure and in the same color also available in round, rectangular and oval versions.

CIRCLE-S LED recessed spot, with all-round light gap

Article no. 12418173

Light.
For Generations.

Article data	
Article no.	12418173
GTIN	4251433916048
Series name	CIRCLE-S
Short description	LED recessed spot, with all-round light gap
Material	Aluminium / Plastic
Colour	White
Type of surface	Structure
Shape	Square
Built-in diameter	98 mm
Installation depth	60 mm
Length	105 mm
Width	105 mm
Height	3 mm
Weight	0.307 kg

Lighting technology	
Colour temperature	3.000 K
Light colour	White
Light output	Direct
Luminous flux	700 lm
System efficiency	75 lm/W
Colour rendering	CRI > 90
Reflector	High-gloss
Reflektorfarbe	silver
Beam angle	32°
Light sharing	Symmetric

Operating technology of the luminaire	
Voltage type	DC
Current	500 mA
Lamp	LED
Protection class	III
Degree of protection	IP20
Dimmable	Depending on type of control gear
Control	Depending on driver
Bulb change possible	The light source of this luminaire may only be replaced by the manufacturer or a service technician commissioned by him or a similarly qualified person.

Mounting technology	
Mounting method	Recessed mounting
Place of installation	Ceiling-mounted
Adjustability	Rotable and pivoted
Swivel angle	40°
Rotation angle	350°
Max. ceiling thickness	24 mm
Further references	No cover with thermal insulation material
Material cover	Plastic, transparent

CIRCLE-S LED recessed spot, with all-round light gap

Article no. 12418173

Light.
For Generations.

Packing data	
Gross weight	0.409 kg
Length of packaging	145 mm
Packaging width	145 mm
Packaging height	85 mm
Disposal at end of life	This product must not be disposed of with household waste. You are obliged, to dispose of such electrical waste separately. By disposing of electrical waste and other old or defective electronics separately, you support recycling or other forms of re-use. In that way you help to take care and to avoid that harmful substances get into the environment.

Accessories	
	Article no.: 17823010 LED converter 500 mA, on/off switchable Power: 1 - 22 W Dimensions: 146 mm x 43.5 mm x 30 mm
	Article no.: 17822010 LED converter 500 mA, trailing-edge phase dimmable Power: 8 - 20 W Dimensions: 110 mm x 52 mm x 22 mm
	Article no.: 17829010 LED converter 500 mA, trailing-edge phase dimmable Power: 1 - 24 W Dimensions: 166 mm x 46 mm x 34 mm
	Article no.: 17824010 LED converter 500 mA, 1-10V dimmable (analog) Power: 5 - 27 W Dimensions: 146 mm x 43.5 mm x 30 mm
	Article no.: 17826010 LED converter 500 mA, DALI dimmable (digital) Power: 5 - 27 W Dimensions: 146 mm x 44 mm x 30 mm
	Article no.: 17882010 LED-Konverter 500 mA, DALI dimmbar, (digital) : 2,5 - 27 W Dimensions: 146 mm x 43.5 mm x 22 mm