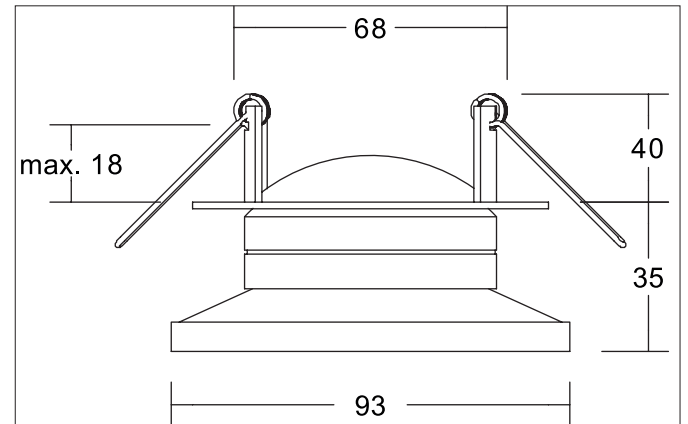


NAVARINO LED Recessed spotlight, rotatable and swivelling

Article no. 12356183

Light.
For Generations.**Tender**

LED Recessed spotlight, rotatable and swivelling, Round. Toolless ceiling installation by installation springs. Ceiling cut-out Ø 68 mm, Installation depth 40 mm, Outer diameter 93 mm, Weight 0,228 kg, with rotationssymmetrical, deep, wide distributed light intensity. optimal light distribution due to a plastic, structured cover. Luminous flux 510 lm, Power 1 x 6 W, Light colour warm white, Correlated color temperature (CCT) 3.000 K, Colour rendering index CRI > 80, Rated life time L70/B50 at 25 °C: 50.000 h, Housing material: Aluminium / PMMA, Colour: White structure, Permissible ambient temperature (ta): -20 °C - +25 °C, Protection class (EN 61140): III, Degree of protection (DIN EN 60529): IP20, .For connection to an external driver, which is not included in the scope of delivery of the luminaire. Depending on driver dimmable.

Product Benefits

- Einbaustrahler in runder Bauform aus massivem Aluminium.
- Überraschendes, frisches Design mit Direkt- und Indirektanteilen.
- Deckenausschnitt 68 mm, Außendurchmesser 93 mm, Einbautiefe 40 mm, Lichtstrom 510 lm, IP20.
- LED-Modul maximal dreh- (355°) und schwenkbar (40°).
- Bei Verwendung eines geeigneten Konverters dimmbar.

NAVARINO LED Recessed spotlight, rotatable and swivelling

Article no. 12356183

Light.
For Generations.

| Article data | |
|--------------------|--|
| Article no. | 12356183 |
| GTIN | 4255752500995 |
| Series name | NAVARINO |
| Short description | LED Recessed spotlight, rotatable and swivelling |
| Material | Aluminium / PMMA |
| Colour | White |
| Type of surface | Structure |
| Shape | Round |
| Outer diameter | 93 mm |
| Built-in diameter | 68 mm |
| Installation depth | 40 mm |
| Hight | 35 mm |
| Weight | 0.228 kg |

| Lighting technology | |
|------------------------------|-----------------|
| Colour temperature | 3.000 K |
| Light colour | White |
| Light output | Direct/Indirect |
| Luminous flux | 510 lm |
| System efficiency | 85 lm/W |
| Colour rendering | CRI > 80 |
| Reflector | Without |
| Beam angle | 24° |
| Light sharing | Symmetric |
| Adjustable color temperature | No |

| Operating technology of the luminaire | |
|---------------------------------------|--|
| System output | 6 W |
| Voltage type | DC |
| Current | 350 mA |
| Lamp | LED |
| Lamp holder | Plug&Play |
| Protection class | III |
| Degree of protection | IP20 |
| Dimmable | Depending on type of control gear |
| Control | Depending on driver |
| Bulb change possible | The light source of this luminaire may only be replaced by the manufacturer or a service technician commissioned by him or a similarly qualified person. |
| Rated life time L70/B50 at 25 °C | 50,000 h |

| Mounting technology | |
|------------------------|---|
| Mounting method | Recessed mounting |
| Place of installation | Ceiling-mounted |
| Adjustability | Rotatable and pivoted |
| Swivel angle | 40° |
| Rotation angle | 355° |
| Max. ceiling thickness | 18 mm |
| stamp | UKCA |
| Further references | No cover with thermal insulation material |
| Material cover | Plastic, structured |
| Circlip | Without circlip |

NAVARINO LED Recessed spotlight, rotatable and swivelling
Article no. 12356183Light.
For Generations.

| Packing data | |
|-------------------------|--|
| Gross weight | 0.29 kg |
| Length of packaging | 130 mm |
| Packaging width | 100 mm |
| Packaging height | 80 mm |
| Disposal at end of life | <p>This product must not be disposed of with household waste. You are obliged, to dispose of such electrical waste separately.</p> <p>By disposing of electrical waste and other old or defective electronics separately, you support recycling or other forms of re-use. In that way you help to take care and to avoid that harmful substances get into the environment.</p> |

| Required accessories | |
|----------------------|--|
|----------------------|--|