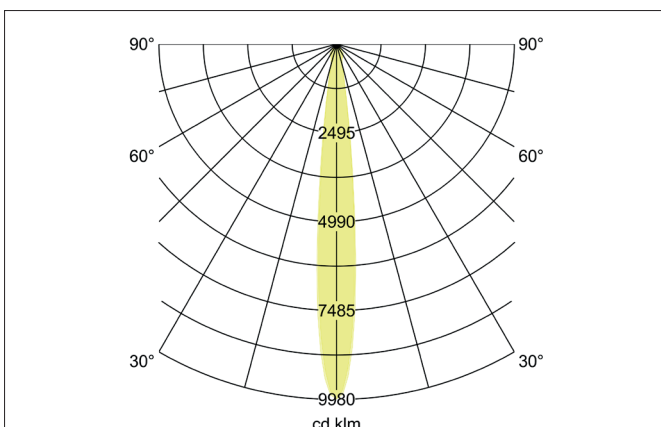
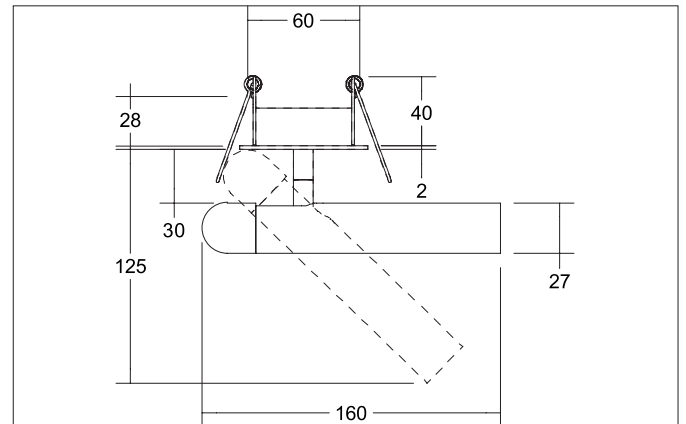


## CUBA LED recessed spot, rotatable and pivoted

Article no. 12310183

Light.  
For Generations.



### Tender

LED recessed spot, rotatable and pivoted, Round. Toolless ceiling installation by installation springs. Ceiling cut-out  $\varnothing$  60 mm, Installation depth 40 mm, Weight 0,314 kg, Reflector silver with rotationssymmetrical, deep, wide distributed light intensity. optimal light distribution due to a Without cover cover. Luminous flux 250 lm, Power 1 x 4,2 W, Colour rendering index CRI > 90, Housing material: Aluminium / Plastic, Colour: Black structure, Permissible ambient temperature (ta): -20 °C - +25 °C, Protection class (EN 61140): I, Degree of protection (DIN EN 60529): IP20, .With electronic driver, on/off switchable.

### Product Benefits

- LED recessed spotlight in round aluminum design.
- Luminaire head can be rotated (355°) and swiveled (25°).
- Ceiling cut-out 60 mm, outer diameter 68 mm (cover plate ceiling cut-out), installation depth 40 mm, Luminous flux 250 lm, IP20.
- Set including switchable converter.

**CUBA LED recessed spot, rotatable and pivoted**

Article no. 12310183

Light.  
For Generations.

Article data	
Article no.	12310183
GTIN	4251433932444
Series name	CUBA
Short description	LED recessed spot, rotatable and pivoted
Material	Aluminium / Plastic
Colour	Black
Type of surface	Structure
Shape	Round
Built-in diameter	60 mm
Installation depth	40 mm
Hight	125 mm
Weight	0.314 kg

Lighting technology	
Colour temperature	3.000 K
Light output	Direct
Luminous flux	250 lm
System efficiency	60 lm/W
Colour rendering	CRI > 90
Reflector	High-gloss
Reflektorfarbe	silver
Beam angle	38°
Light sharing	Symmetric

Operating technology of the luminaire	
System output	4.2 W
Voltage type	AC
AC nominal voltage max	230 V
Current	350 mA
Frequenz max.	50 Hz
Lamp	LED
Lamp holder	Without fitting
Protection class	I
Degree of protection	IP20
Dimmable	No
Control	on/off
Bulb change possible	The light source of this luminaire may only be replaced by the manufacturer or a service technician commissioned by him or a similarly qualified person.

Mounting technology	
Mounting method	Recessed mounting
Place of installation	Ceiling-mounted
Adjustability	Head adjustable
Swivel angle	25°
Rotation angle	355°
Head adjustable angle	25°
Max. ceiling thickness	28 mm
Further references	No cover with thermal insulation material
Pendulum length min.	30 mm
Material cover	Without cover
Suitable for through-wiring	Yes, with optional accessories

**CUBA LED recessed spot, rotatable and pivoted**

Article no. 12310183

Light.  
For Generations.

Packing data	
Gross weight	0.459 kg
Length of packaging	225 mm
Packaging width	135 mm
Packaging height	100 mm
Disposal at end of life	<p>This product must not be disposed of with household waste. You are obliged, to dispose of such electrical waste separately.</p> <p>By disposing of electrical waste and other old or defective electronics separately, you support recycling or other forms of re-use. In that way you help to take care and to avoid that harmful substances get into the environment.</p>