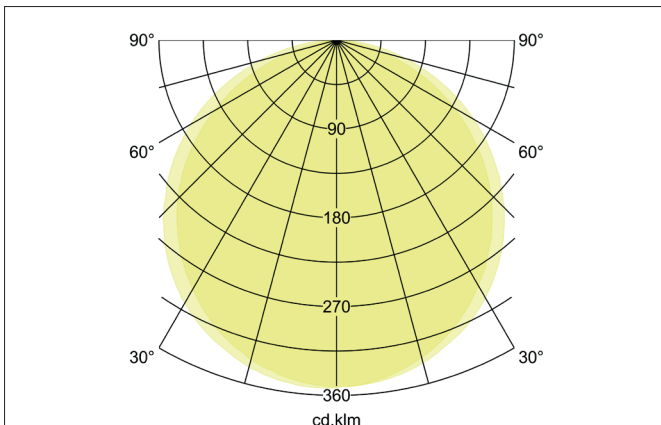
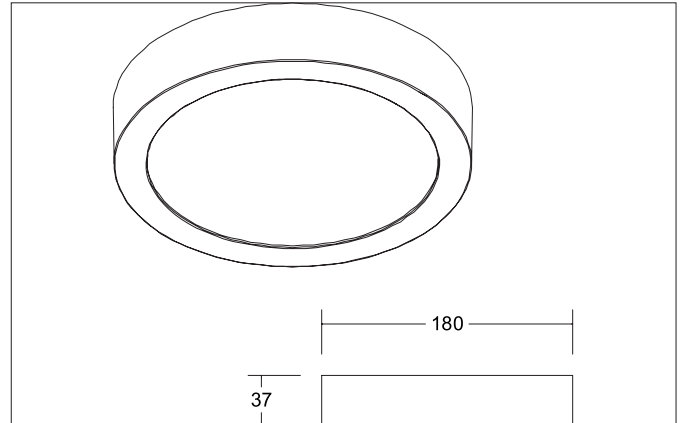
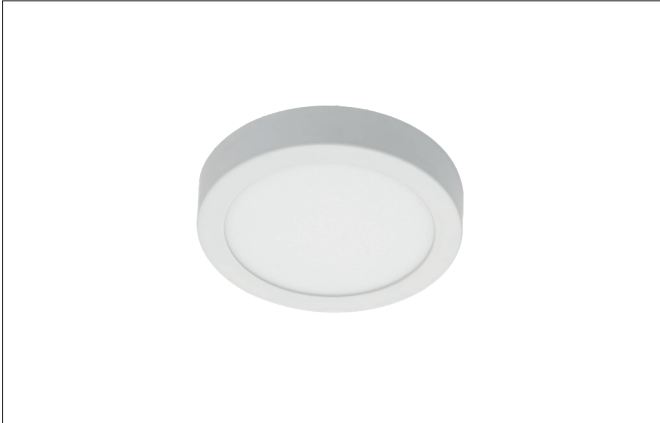


**FLAT37 LED surface mounted panel**

Article no. 12245073

Light.  
For Generations.**Tender**

LED surface mounted panel, white, Round. Surface mounting, Ceiling-mounted Mounting method: Surface mounting, Place of installation: Ceiling-mounted, Material: Aluminium / Plastic, Degree of protection: according to DIN EN 60529 IP20, Protection class: (EN 61140) I, Voltage: 230V AC 50Hz, Power: 18W, Amount of light sources / fittings: 1.0 Qty, Luminous flux: 1.430lm, Colour temperature: 3.000 K, Beam angle: 112°, Adjustability: Not adjustable, With control gear: Yes, Control: on/off.

Article data	
Article no.	12245073
GTIN	4251433925859
Series name	FLAT37
Short description	LED surface mounted panel
Material	Aluminium / Plastic
Colour	White
Type of surface	Matt
Shape	Round
Outer diameter	185 mm
Height	37 mm
Scope of delivery	Incl. converter for connection to 230 V mains voltage and connection terminal for through wiring
weight	0.772 kg

**FLAT37 LED surface mounted panel**

Article no. 12245073

Light.  
For Generations.

Lighting technology	
Colour temperature	3000 K
Light colour	White
Light output	Direct
Luminous flux	1,430 lm
System efficiency	79 lm/W
Colour rendering	CRI > 80
Reflector	Without
Beam angle	112 °
Light sharing	Symmetric

Operating technology of the luminaires	
System output	18 W
Voltage type	AC
AC nominal voltage max	230 V
Frequenz max.	50 Hz
Lamp	LED
Protection class	I
Degree of protection	IP20
Control	on/off
Bulb change possible	Yes

Mounting technology	
Mounting method	Surface mounting
Place of installation	Ceiling-mounted
Adjustability	Not adjustable
Material cover	Plastic, opal

Packing data	
Gross weight	0.862 kg
Length of packaging	185 mm
Packaging width	45 mm
Packaging height	190 mm
Disposal at end of life	This product must not be disposed of with household waste. You are obliged, to dispose of such electrical waste separately. By disposing of electrical waste and other old or defective electronics separately, you support recycling or other forms of re-use. In that way you help to take care and to avoid that harmful substances get into the environment.