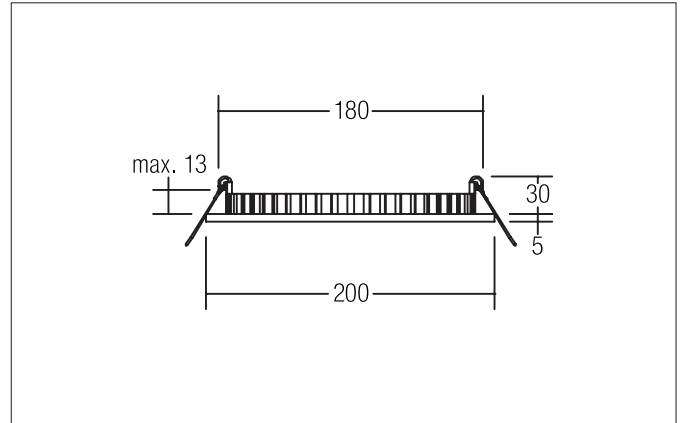


**FLAT30 LED recessed panel**

Article no. 12217684

Light.  
For Generations.**Tender**

LED recessed panel, Round. Toolless ceiling installation by installation springs. Ceiling cut-out Ø 180 mm, Installation depth 30 mm, Outer diameter 200 mm, Weight 0,336 kg, with rotationssymmetrical, deep, wide distributed light intensity. optimal light distribution due to a plastic, opal cover. Luminous flux 1.080 lm, Power 1 x 16 W, Light colour neutral white, Correlated color temperature (CCT) 4.000 K, Colour rendering index CRI > 80, Housing material: Aluminium / Plastic, Colour: Silver, Permissible ambient temperature (ta): -20 °C - +25 °C, Protection class (EN 61140): III, Degree of protection (DIN EN 60529): IP20, .For connection to an external driver, which is not included in the scope of delivery of the luminaire. Depending on driver dimmable.

Article data	
Article no.	12217684
GTIN	4251433915621
Series name	FLAT30
Short description	LED recessed panel
Material	Aluminium / Plastic
Colour	Silver
Type of surface	Matt
Shape	Round
Outer diameter	200 mm
Built-in diameter	180 mm
Installation depth	30 mm
Height	5 mm
Weight	0.336 kg

**FLAT30 LED recessed panel**

Article no. 12217684

Light.  
For Generations.

Lighting technology	
Colour temperature	4.000 K
Light colour	White
Light output	Direct
Luminous flux	1,080 lm
System efficiency	68 lm/W
Colour rendering	CRI > 80
Reflector	Without
Beam angle	120°
Light sharing	Symmetric
Adjustable color temperature	No

Operating technology of the luminaire	
System output	16 W
Voltage type	DC
DC nominal voltage max	24 V
Lamp	LED
Lamp holder	Without fitting
Protection class	III
Degree of protection	IP20
Dimmable	Yes
Control	Depending on driver
Bulb change possible	The light source of this luminaire may only be replaced by the manufacturer or a service technician commissioned by him or a similarly qualified person.

Mounting technology	
Mounting method	Recessed mounting
Place of installation	Ceiling-mounted
Adjustability	Not adjustable
Max. ceiling thickness	13 mm
Further references	No cover with thermal insulation material
Material cover	Plastic, opal

Packing data	
Gross weight	0.514 kg
Length of packaging	250 mm
Packaging width	225 mm
Packaging height	60 mm
Disposal at end of life	This product must not be disposed of with household waste. You are obliged, to dispose of such electrical waste separately. By disposing of electrical waste and other old or defective electronics separately, you support recycling or other forms of re-use. In that way you help to take care and to avoid that harmful substances get into the environment.

**FLAT30 LED recessed panel**

Article no. 12217684





Light.  
For Generations.

Accessories	
	Article no.: 17206000 LED power supply 24 V DC, 1-10 V dimmable (analog) Power: 1 - 20 W Dimensions: 145 mm x 55 mm x 19 mm
	Article no.: 17207000 LED power supply 24 V DC, on/off switchable Power: 1 - 30 W Dimensions: 160 mm x 50 mm x 22 mm
	Article no.: 17223000 LED power supply 24 V DC, on/off switchable Power: 1 - 75 W Dimensions: 185 mm x 60 mm x 31 mm
	Article no.: 17224000 LED power supply 24 V DC, on/off switchable Power: 1 - 100 W Dimensions: 199 mm x 63 mm x 36 mm
	Article no.: 17225000 LED power supply 24 V DC, on/off switchable Power: 1 - 150 W Dimensions: 219 mm x 63 mm x 36 mm
	Article no.: 17226000 LED power supply 24V DC, on/off switchable Power: 1 - 240 W Dimensions: 244 mm x 71 mm x 38 mm
	Article no.: 17240000 LED power supply 24 V DC, on/off switchable Leistung: 20 W Dimensions: 150 mm x 40 mm x 30 mm
	Article no.: 17241000 LED power supply 24 V DC, on/off switchable Leistung: 40 W Dimensions: 210 mm x 40 mm x 30 mm
	Article no.: 17242000 LED power supply 24 V DC, on/off switchable Leistung: 60 W Dimensions: 250 mm x 40 mm x 30 mm
	Article no.: 17243000 LED power supply 24 V DC, on/off switchable Leistung: 120 W Dimensions: 300 mm x 40 mm x 30 mm

**FLAT30 LED recessed panel**

Article no. 12217684

Light.  
For Generations.

Accessories	
	<p>Article no.: 17244000            LED power supply 24 V DC, on/off switchable            Leistung: 150 W            Dimensions: 310 mm x 40 mm x 30 mm</p>
	<p>Article no.: 17230000            LED power supply 24 V DC, dimmable            Power: 5 - 30 W            Dimensions: 145 mm x 50 mm x 22 mm</p>
	<p>Article no.: 17231000            LED power supply 24 V DC, dimmable            Power: 12 - 75 W            Dimensions: 185 mm x 60 mm x 31 mm</p>
	<p>Article no.: 17232000            LED power supply 24 V DC, dimmable            Power: 12 - 120 W            Dimensions: 223 mm x 64 mm x 32 mm</p>